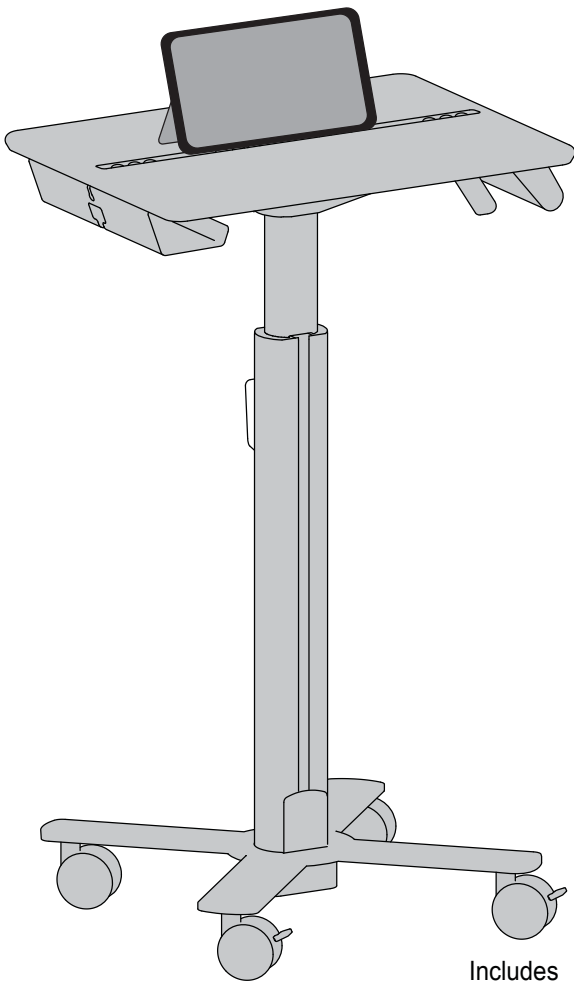
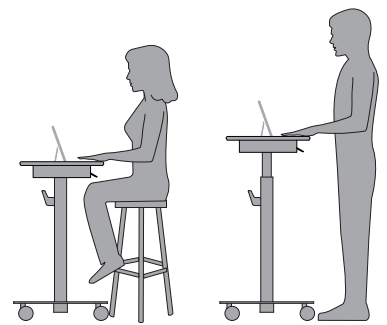


# ergotron®

## SV10 for Microsoft Surface



Includes  
Constant Force™  
Technology



**WARNING!** The worksurface contains strong magnets that could corrupt data on magnetic or traditional HDD computer hard drives if placed on worksurface.



**English**

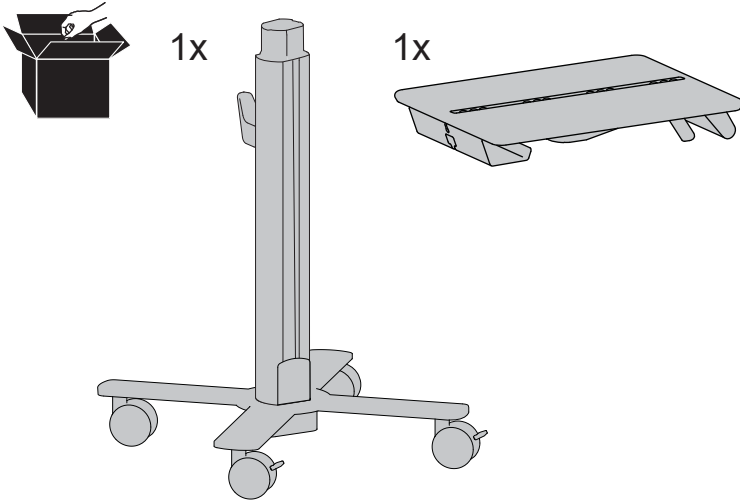


For the latest User Installation Guide please visit: [www.ergotron.com](http://www.ergotron.com)

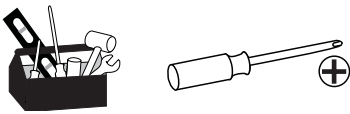
English, Español, Français, Deutsch, Nederlands, Italiano, Svenska, 日本語, 汉语

[www.ergotron.com](http://www.ergotron.com) | USA: 1-800-888-8458 | Europe: +31 (0)33-45 45 600 | China: 400-120-3051 | Japan: [japansupport@ergotron.com](mailto:japansupport@ergotron.com)

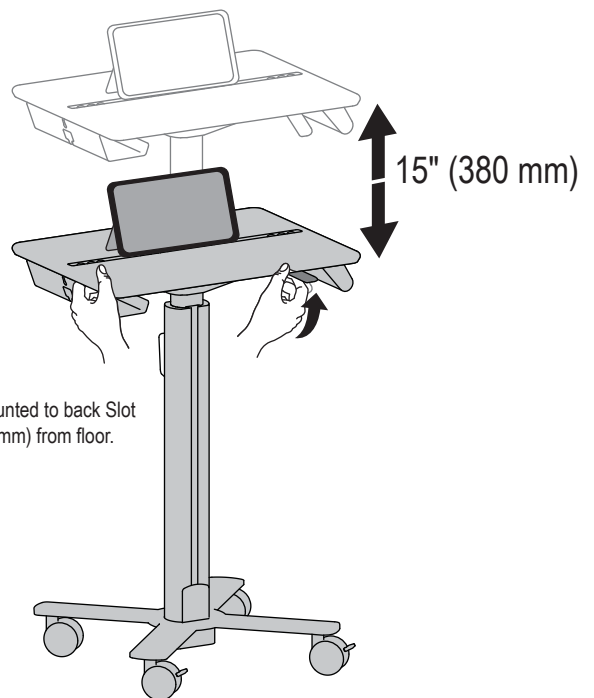
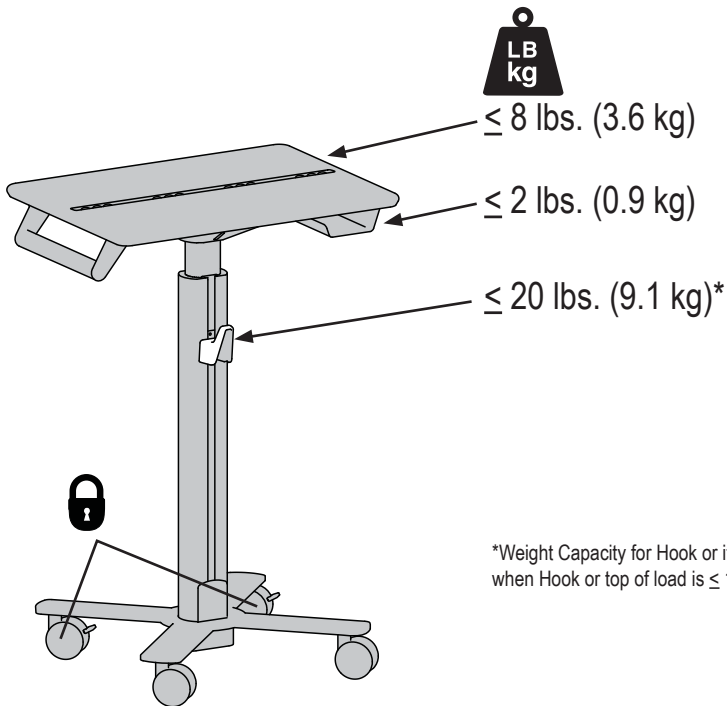
# Components



# Tools Needed



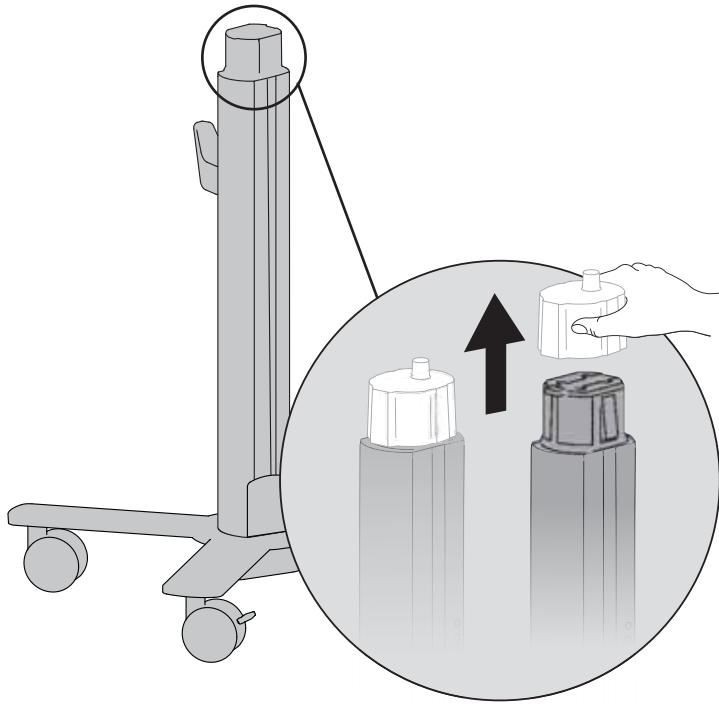
# Features & Specifications



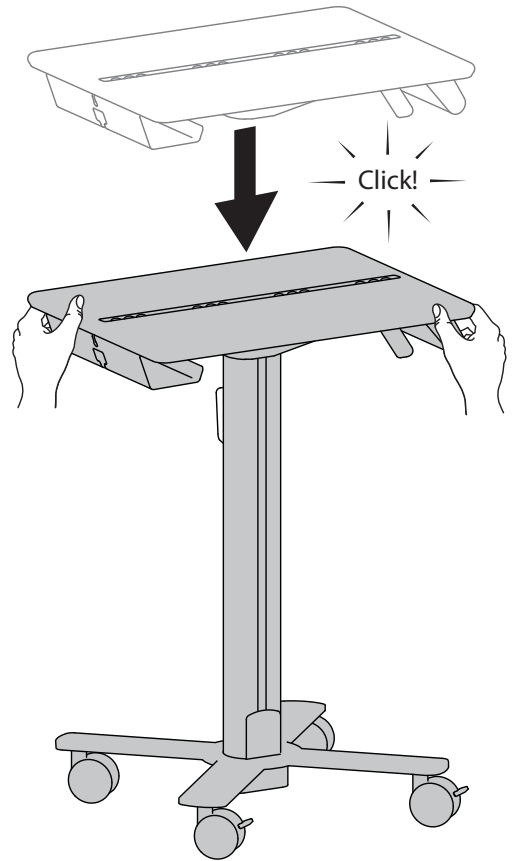
\*Weight Capacity for Hook or items mounted to back Slot when Hook or top of load is ≤ 18" (457 mm) from floor.

CAUTION: DO NOT EXCEED  
MAXIMUM LISTED WEIGHT  
CAPACITY. SERIOUS INJURY OR  
PROPERTY DAMAGE MAY OCCUR!

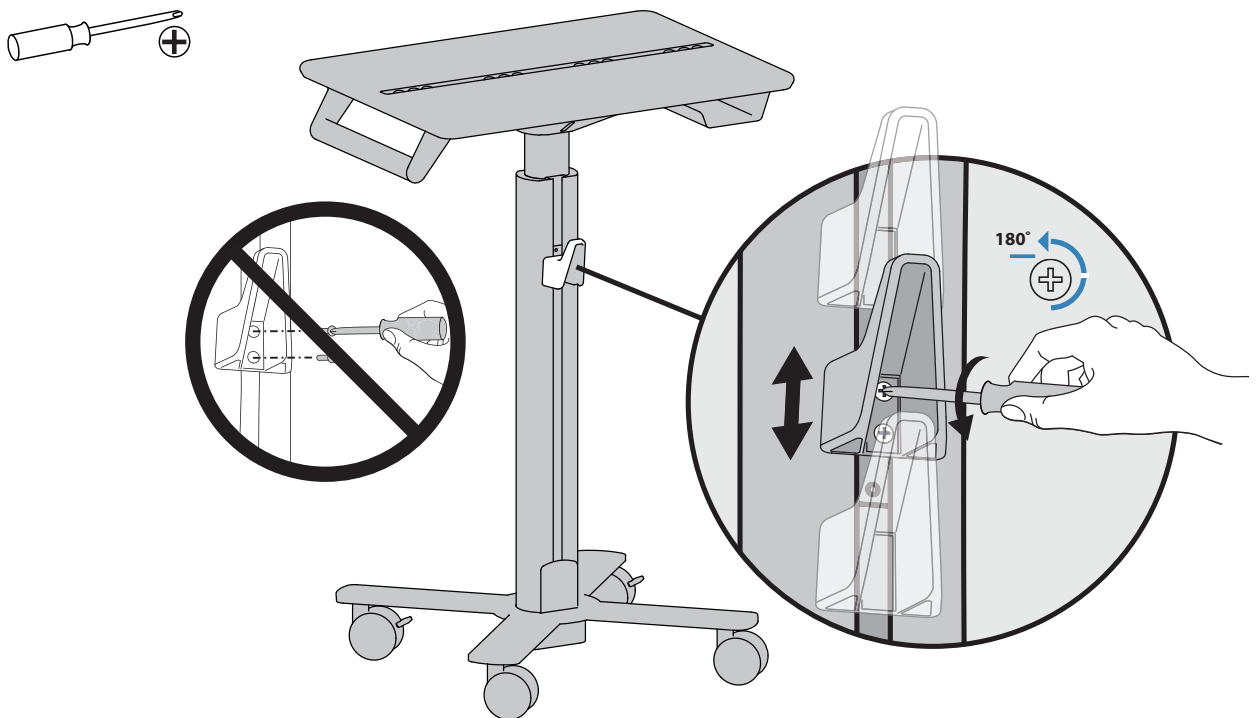
**1** Remove cap.



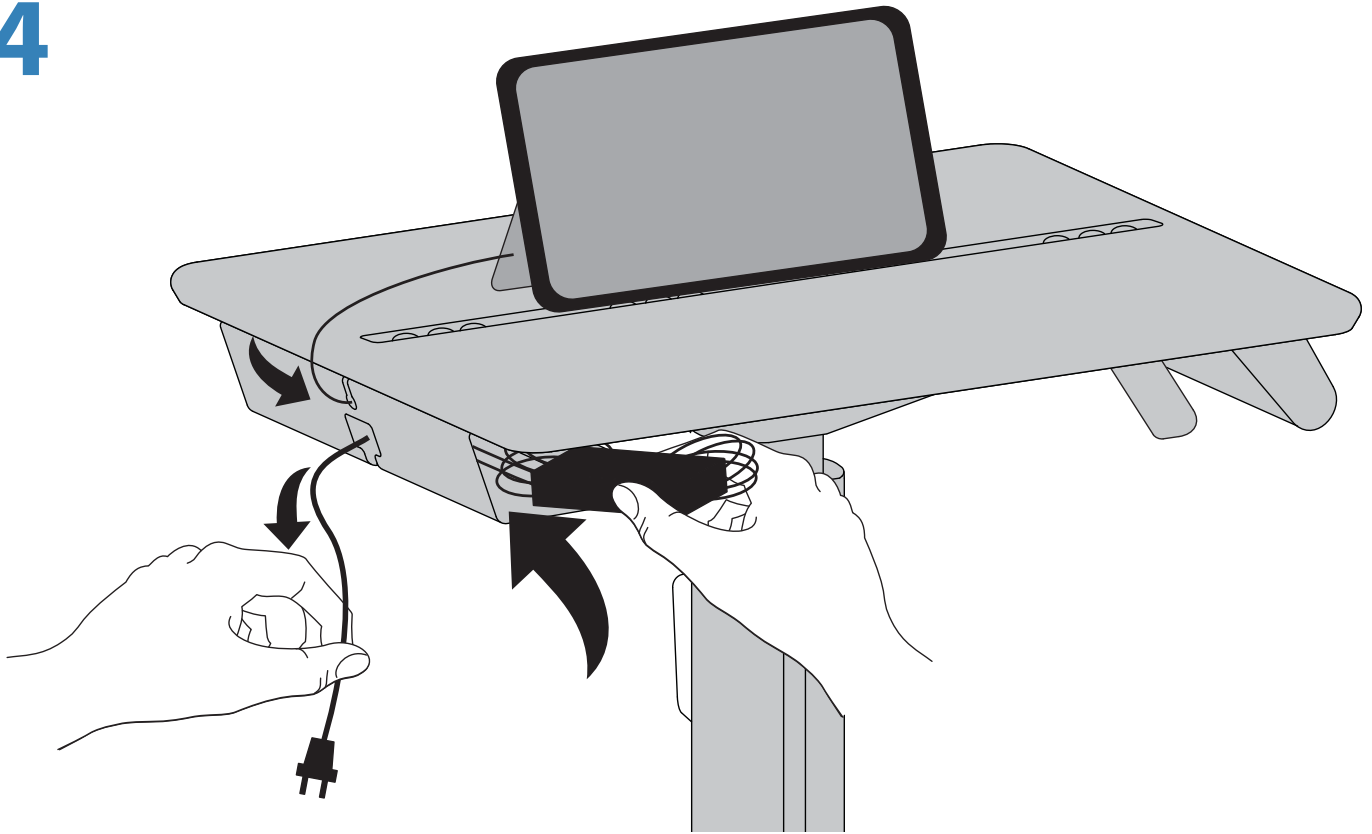
**2** Attach work surface and press down.



**3** How to adjust height of hook.



4

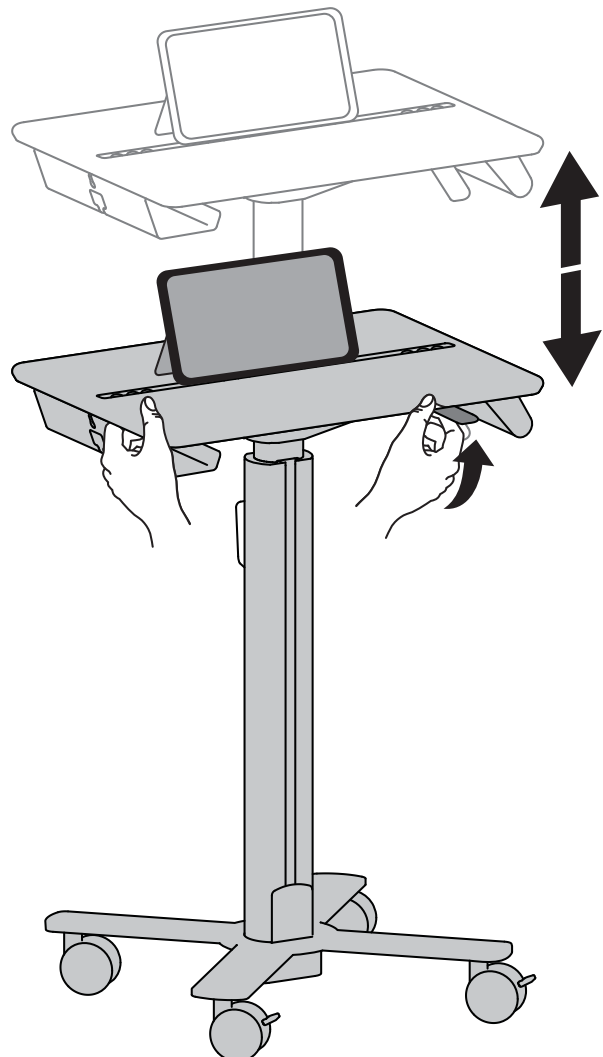


5

Release Brake to move riser.

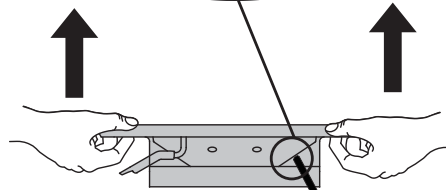
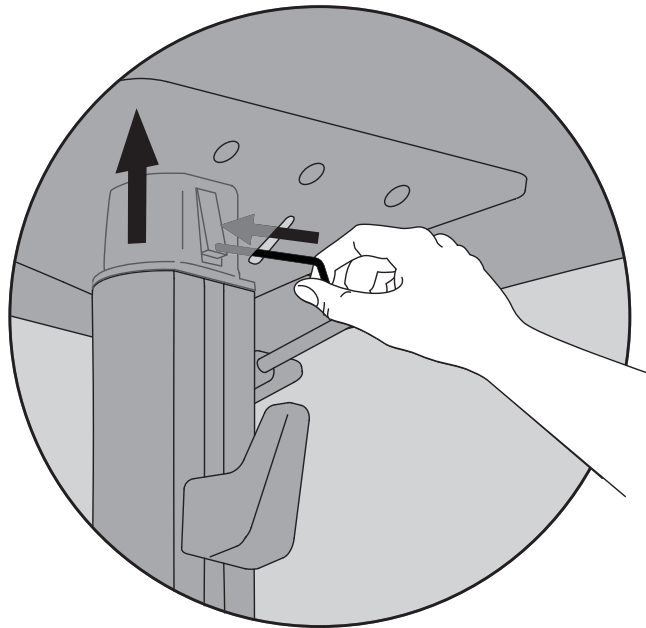


**CAUTION!** Completely release brake engagement before raising or lowering the cart. Raising or lowering the cart with the brake partially engaged may cause product damage.

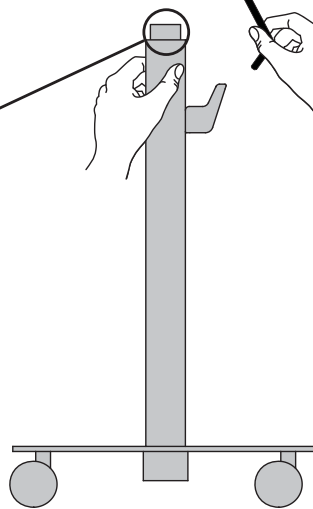
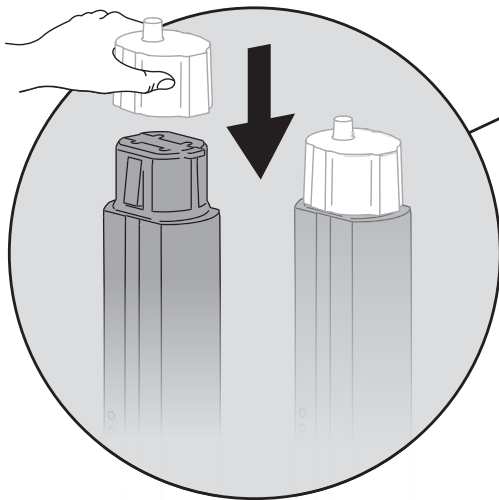


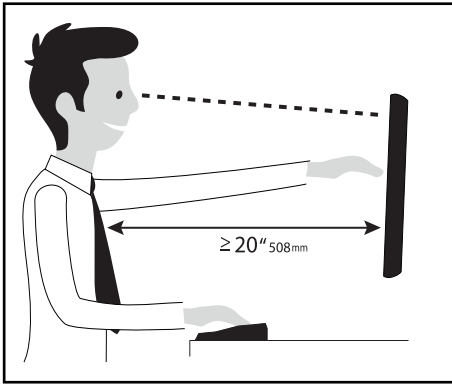
# How to Disassemble

To remove worksurface, push tab with a tool while removing.  
NOTE: Requires two people.



Attach cap.





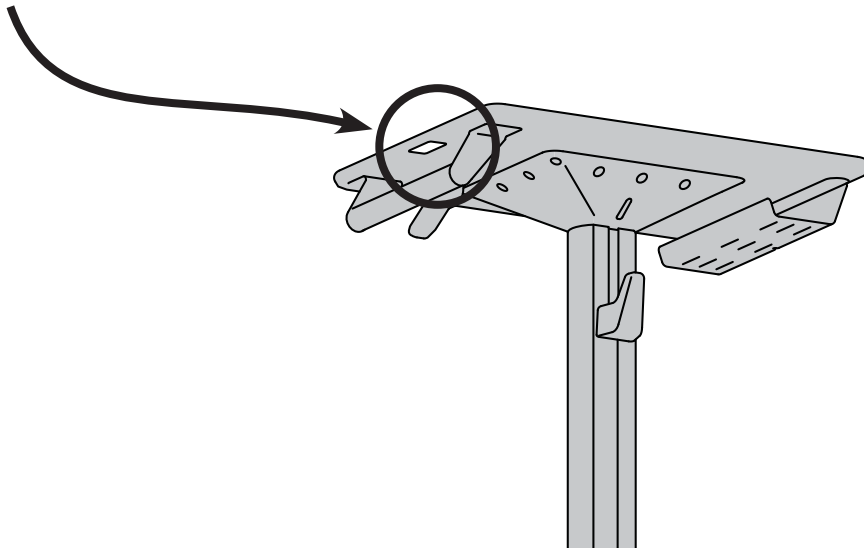
Learn more about ergonomic computer use at:  
[www.computingcomfort.org](http://www.computingcomfort.org)

For Warranty visit: [www.ergotron.com/warranty](http://www.ergotron.com/warranty)

For Service visit: [www.ergotron.com](http://www.ergotron.com)

For local customer care phone numbers visit: <http://contact.ergotron.com>

NOTE: When contacting customer service, reference the serial number.



# ergotron®

  
Constant Force

[www.ergotron.com](http://www.ergotron.com) | USA: 1-800-888-8458 | Europe: +31 (0)33-45 45 600 | China: 400-120-3051 | Japan: [japansupport@ergotron.com](mailto:japansupport@ergotron.com)

© 2015 Ergotron, Inc. All rights reserved. Constant Force™ is a registered trademark of Ergotron, Inc.

While Ergotron, Inc. makes every effort to provide accurate and complete information on the installation and use of its products, it will not be held liable for any editorial errors or omissions (including those made in the process of translation from English to another language), or for incidental, special or consequential damages of any nature resulting from furnishing this instruction and performance of equipment in connection with this instruction. Ergotron, Inc. reserves the right to make changes in the product design and/or product documentation without notification to its users. For the most current product information, or to know if this document is available in languages other than those herein, please contact Ergotron. No part of this publication may be reproduced, stored in a retrieval system, or transmitted in any form or by any means, electronic, mechanical, photocopying, recording or otherwise without the prior written consent of Ergotron, Inc., 1181 Trapp Road, Eagan, Minnesota, 55121, USA Patents Pending and Patented U.S. & Foreign. Ergotron is a registered trademark of Ergotron, Inc.