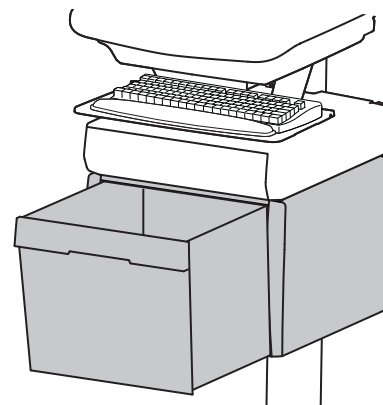
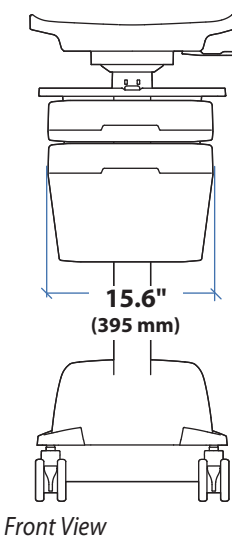
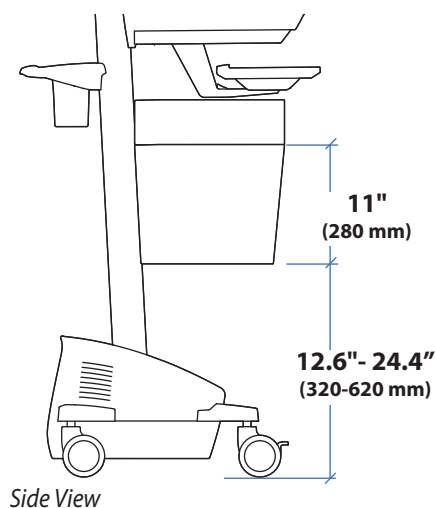


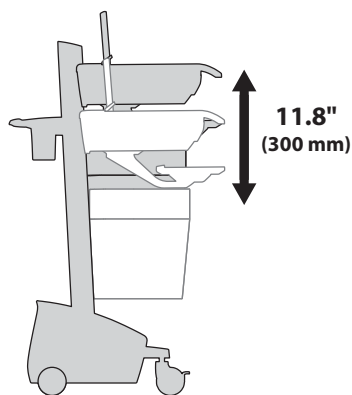
StyleView® Envelope Drawer

Dimensions



≤ 2 lbs (1 kg)
Total weight capacity per drawer.

Range of Motion



Includes Divider

