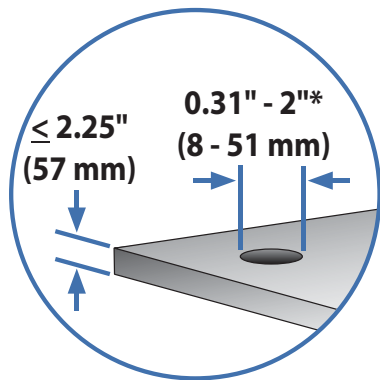
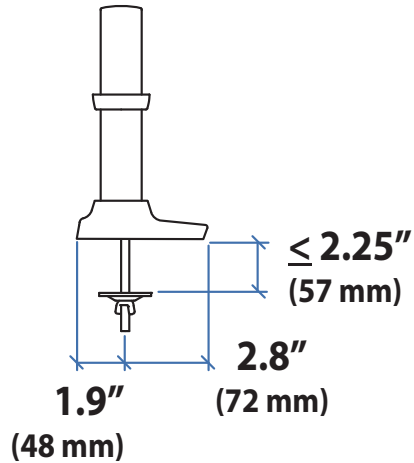


Grommet Mount

Dimensional & Range of Motion Illustrations

Dimensions



***Bolt must be centered in hole.**

