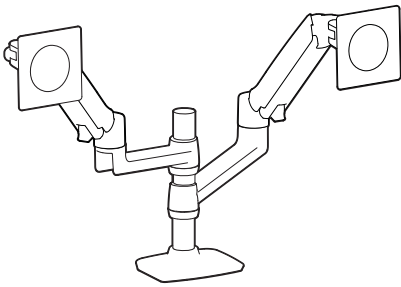
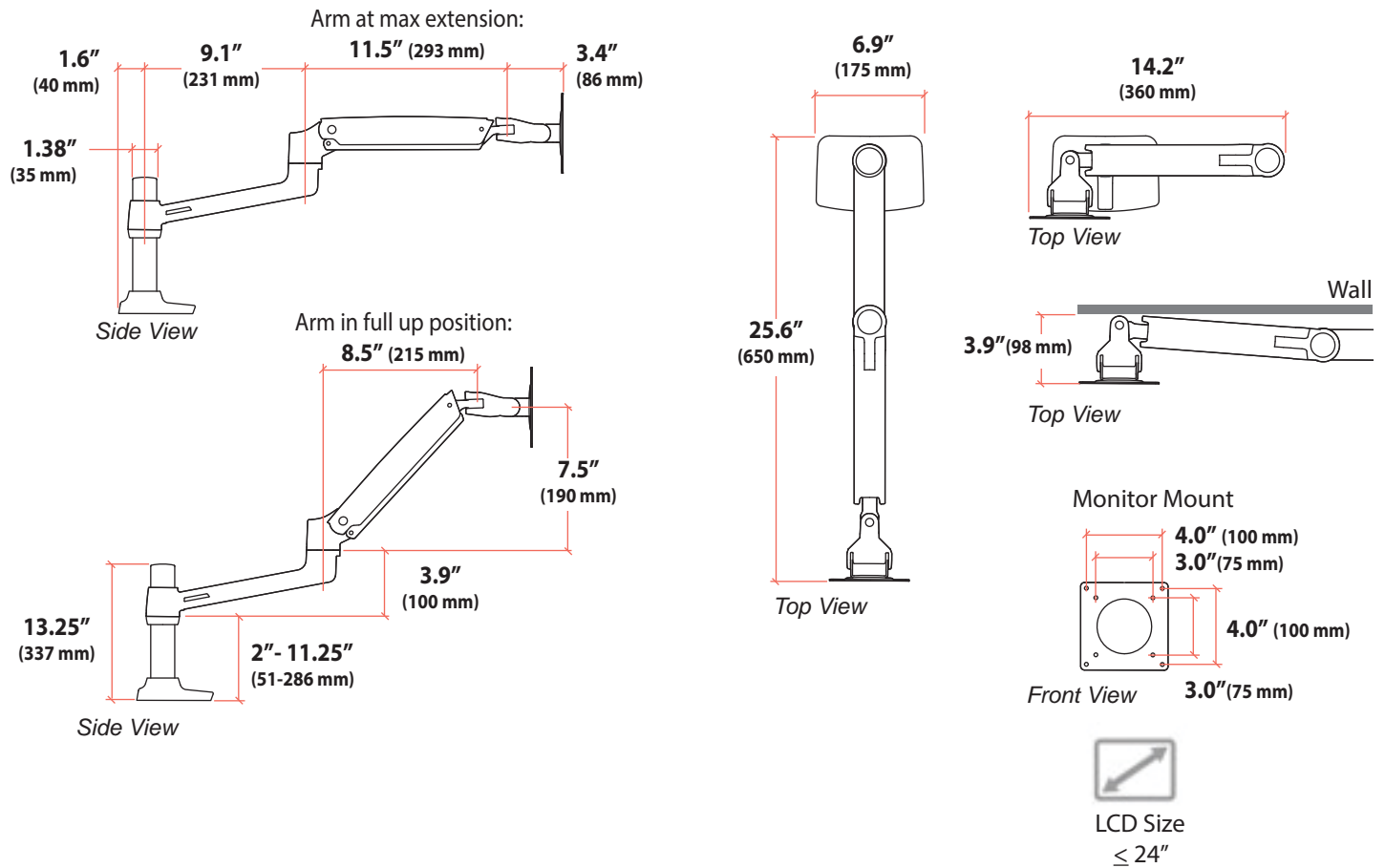


LX Dual Stacking Arm



Dimensions



Download additional resources at ergotron.com

USA & Canada Sales & Corporate Headquarters: St. Paul, MN USA / 800.888.8458 / +1.651.681.7600 / insidesales@ergotron.com

EMEA Sales: Amersfoort, The Netherlands / +31.33.45.45.600 / info.eu@ergotron.com

APAC Sales: Sydney, Australia / apaccustomerservice@ergotron.com

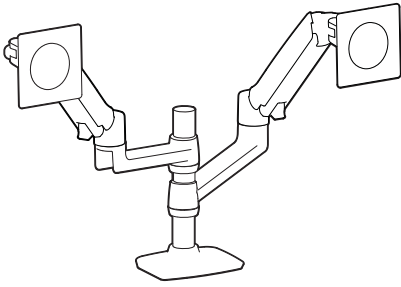
LATAM Sales: Mexico / +1.800.681.1820 / info.latam@ergotron.com

Worldwide Custom Sales: custom@ergotron.com

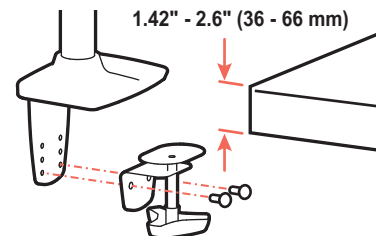
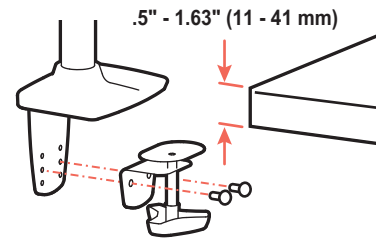
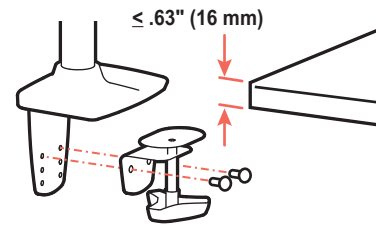
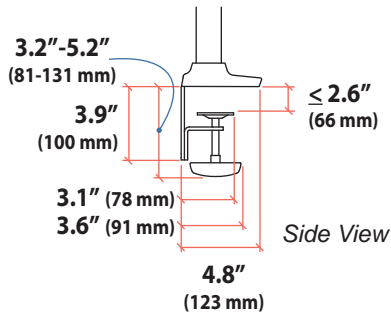
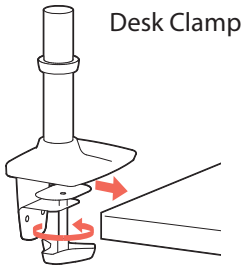
Ergotron devices are not intended to cure, treat, mitigate or prevent any disease. Patent information available at www.ergotron.com/patents

© 2016 Ergotron, Inc. rev. 08/22/2022 DIM-LXDLStackWt **Content is subject to change without notification**

LX Dual Stacking Arm



Dimensions



Download additional resources at ergotron.com

USA & Canada Sales & Corporate Headquarters: St. Paul, MN USA / 800.888.8458 / +1.651.681.7600 / insidesales@ergotron.com

EMEA Sales: Amersfoort, The Netherlands / +31.33.45.45.600 / info.eu@ergotron.com

APAC Sales: Sydney, Australia / apaccustomerservice@ergotron.com

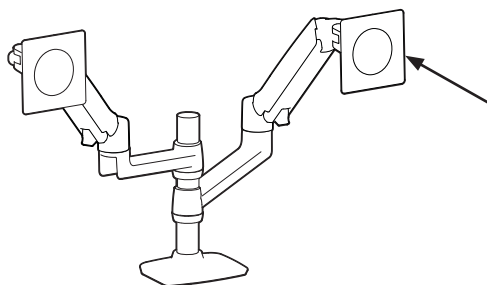
LATAM Sales: Mexico / +1.800.681.1820 / info.latam@ergotron.com

Worldwide Custom Sales: custom@ergotron.com

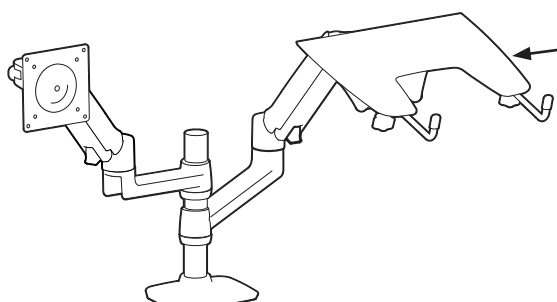
Ergotron devices are not intended to cure, treat, mitigate or prevent any disease. Patent information available at www.ergotron.com/patents

© 2016 Ergotron, Inc. rev. 08/22/2022 DIM-LXDLStackWt **Content is subject to change without notification**

LX Dual Stacking Arm

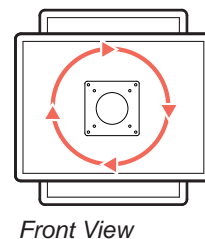
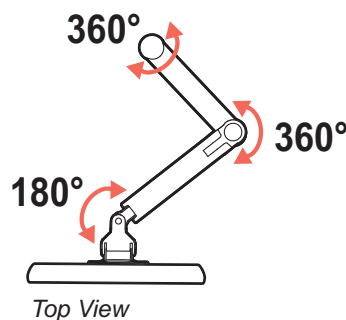
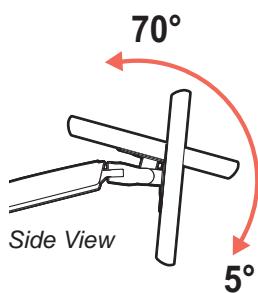
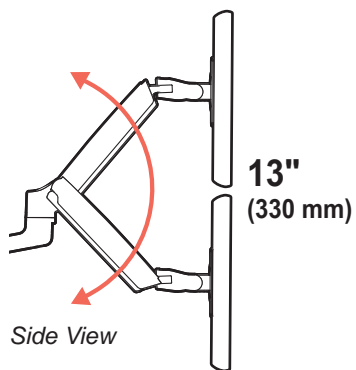


Weight Capacity per Monitor
 7 - 20 lbs (3.2 - 9.1 kg)
 Monitor depth greater than 2.5" (64 mm) may diminish capacity.
 Call Ergotron for more information.



Weight Capacity for Laptop Tray
 0.5 - 12 lbs (0.23 - 5.4 kg)

Range of Motion



Download additional resources at ergotron.com

USA & Canada Sales & Corporate Headquarters: St. Paul, MN USA / 800.888.8458 / +1.651.681.7600 / insidesales@ergotron.com

EMEA Sales: Amersfoort, The Netherlands / +31.33.45.45.600 / info.eu@ergotron.com

APAC Sales: Sydney, Australia / apaccustomerservice@ergotron.com

LATAM Sales: Mexico / +1.800.681.1820 / info.latam@ergotron.com

Worldwide Custom Sales: custom@ergotron.com

Ergotron devices are not intended to cure, treat, mitigate or prevent any disease. Patent information available at www.ergotron.com/patents

© 2016 Ergotron, Inc. rev. 08/22/2022 DIM-LXDLStackWt **Content is subject to change without notification**