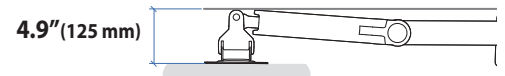
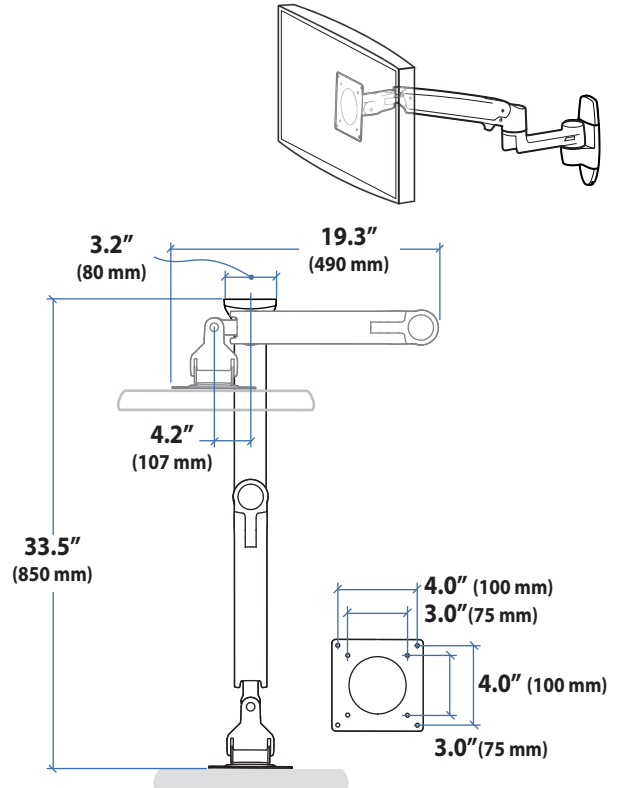
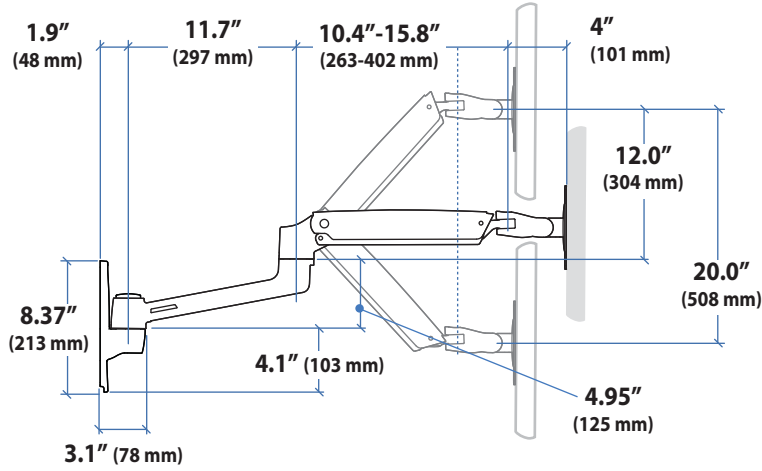


# ergotron®

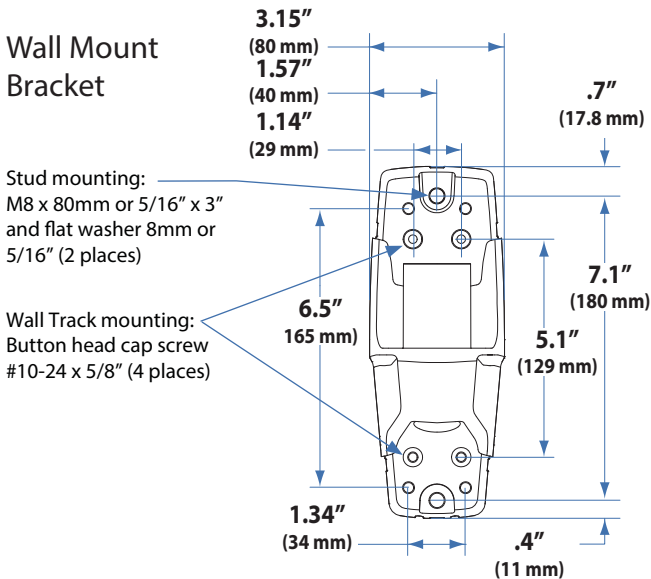
## HD Sit-Stand Wall Mount LCD Arm

### Dimensional Illustrations

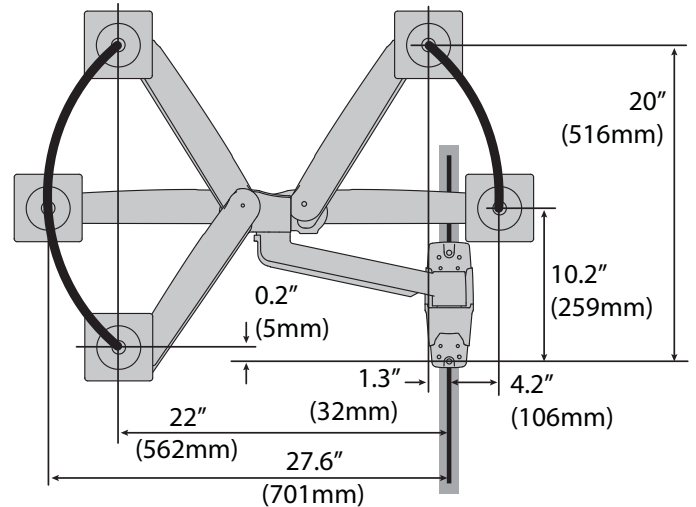
#### Dimensions



#### Wall Mount Bracket



Front view with arm pushed back against the wall.



© 2013 Ergotron, Inc. rev. 12/17/2018 DIM-LXHDStWall Content is subject to change without notification.

#### Americas Sales and Corporate Headquarters

St. Paul, MN USA  
(800) 888-8458  
+1-651-681-7600  
www.ergotron.com  
sales@ergotron.com

#### EMEA Sales

Amersfoort, The Netherlands  
+31 33 45 45 600  
www.ergotron.com  
info.eu@ergotron.com

#### APAC Sales

Tokyo, Japan  
www.ergotron.com  
japansupport@ergotron.com

#### Worldwide OEM Sales

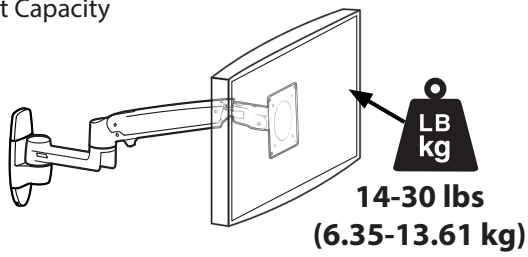
www.ergotron.com  
info.oem@ergotron.com

# ergotron®

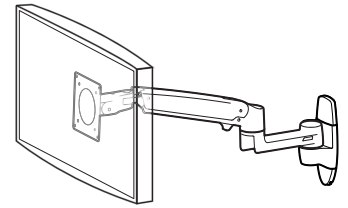
## HD Sit-Stand Wall Mount LCD Arm

### Dimensional Illustrations

#### Weight Capacity

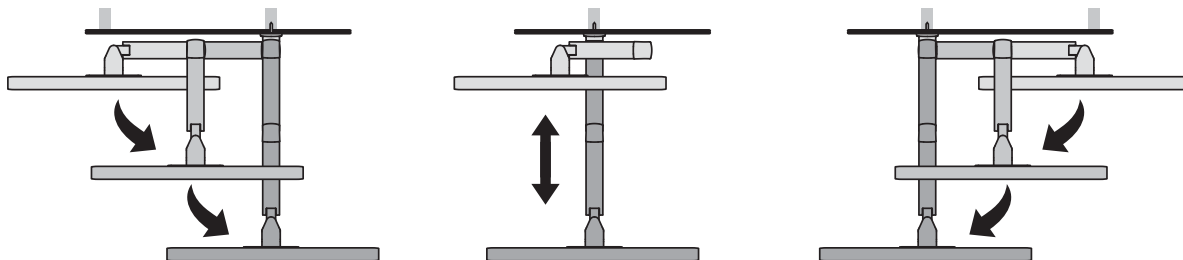
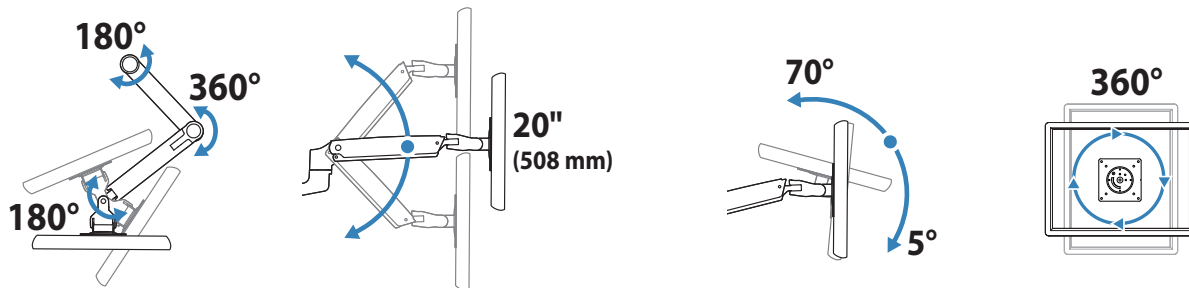


**Maximum Screen  
Size = 46"  
Limited to 30 lbs  
maximum**



Monitor depth greater than 2.5" (64 mm) may diminish capacity.  
Call Ergotron for more information.

#### Range of Motion



© 2013 Ergotron, Inc. rev. 12/17/2018 DIM-LXHDStWall **Content is subject to change without notification.**

#### Americas Sales and Corporate Headquarters

St. Paul, MN USA  
(800) 888-8458  
+1-651-681-7600  
www.ergotron.com  
sales@ergotron.com

#### EMEA Sales

Amersfoort, The Netherlands  
+31 33 45 45 600  
www.ergotron.com  
info.eu@ergotron.com

#### APAC Sales

Tokyo, Japan  
www.ergotron.com  
japansupport@ergotron.com

#### Worldwide OEM Sales

www.ergotron.com  
info.oem@ergotron.com