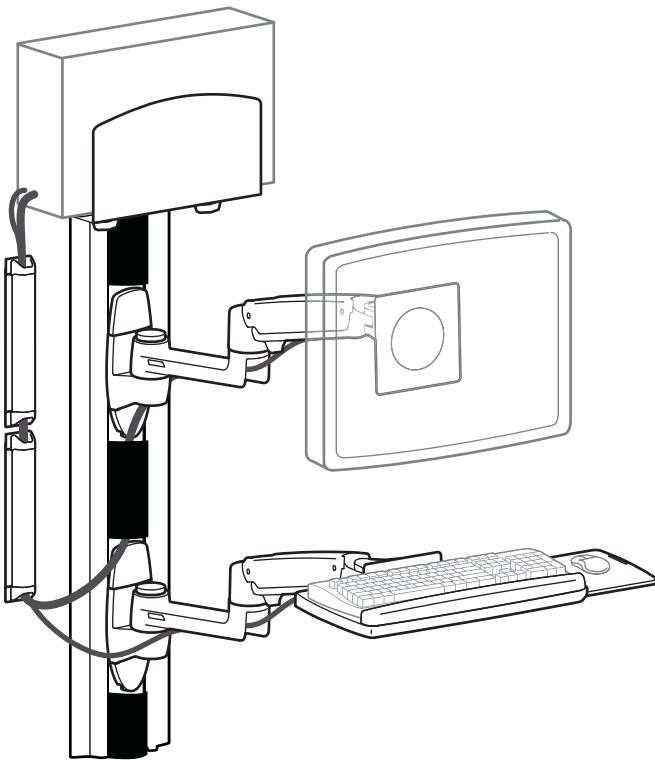
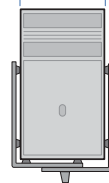


LX Sit-Stand Wall Mount System

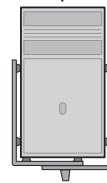


Small CPU Holder

1.38" - 3.75"
(35-95 mm)

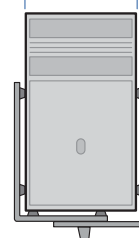


50 lbs (22.7 kg)

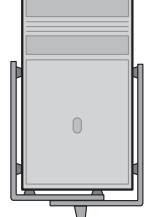


Medium CPU Holder

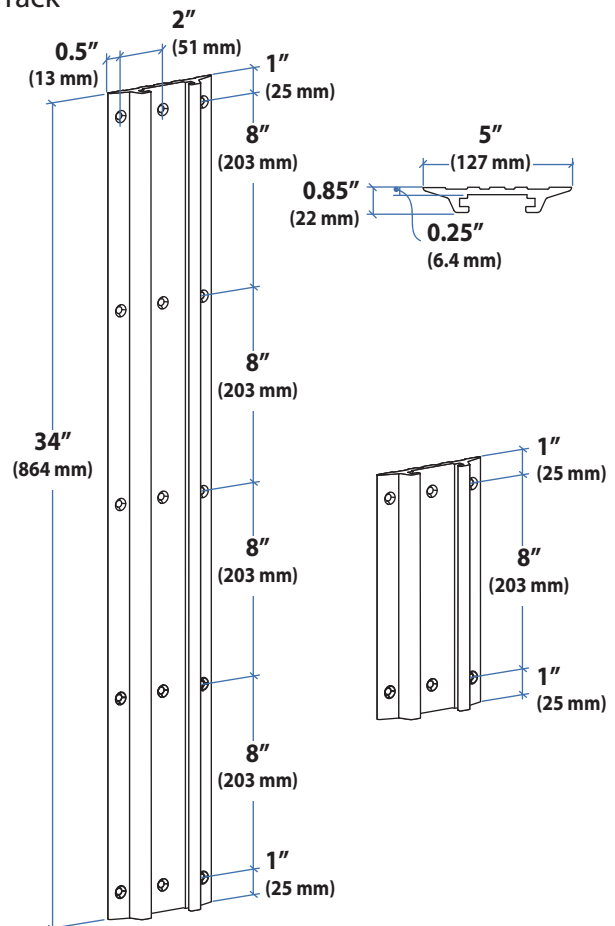
2" - 8"
(51 - 203 mm)



40 lbs (18 kg)



Wall Track

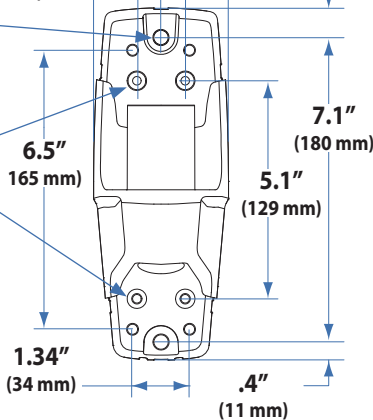


Wall Mount Bracket

3.15" (80 mm)
1.57" (40 mm)
1.14" (29 mm)
.7" (17.8 mm)

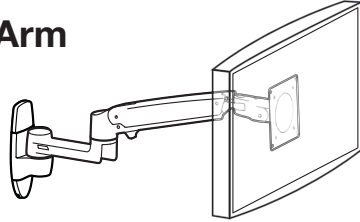
Stud mounting:
M8 x 80mm or 5/16" x 3"
and flat washer 8mm or 5/16" (2 places)

Wall Track mounting:
Button head cap screw
#10-24 x 5/8" (4 places)

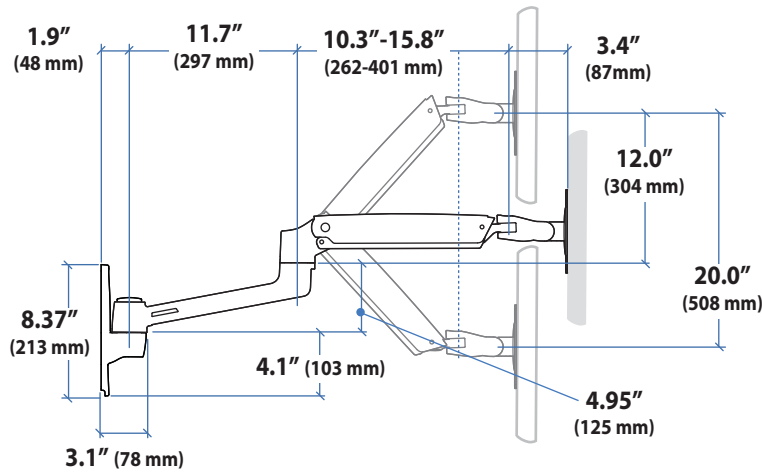


LX Sit-Stand Wall Mount System

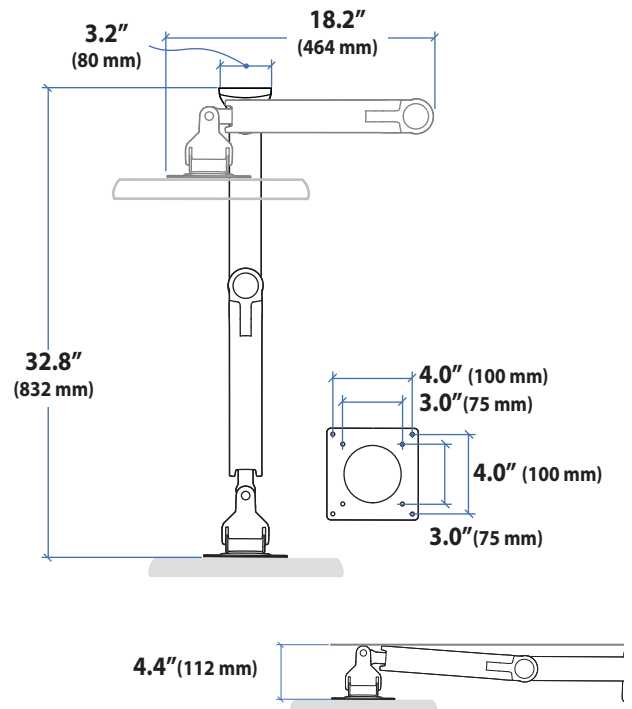
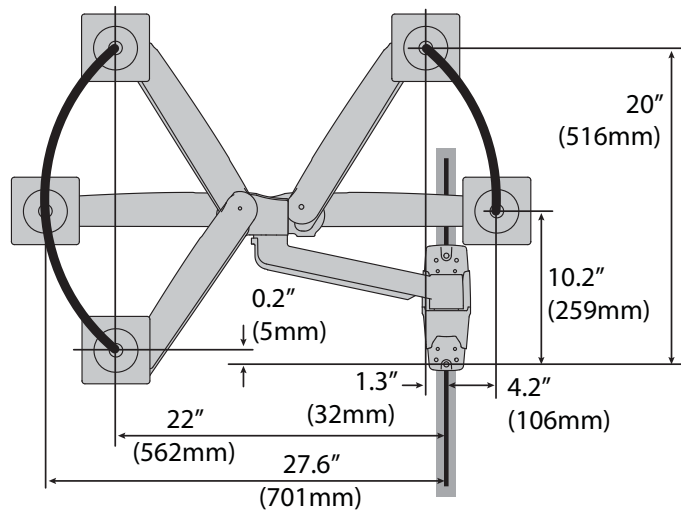
LCD Arm



Dimensions

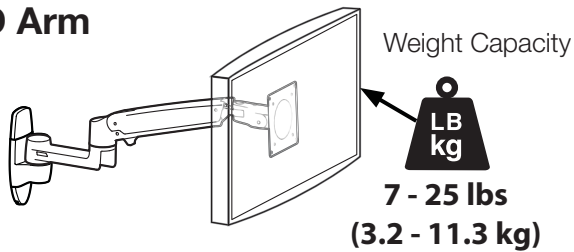


Front view with arm pushed back against the wall.



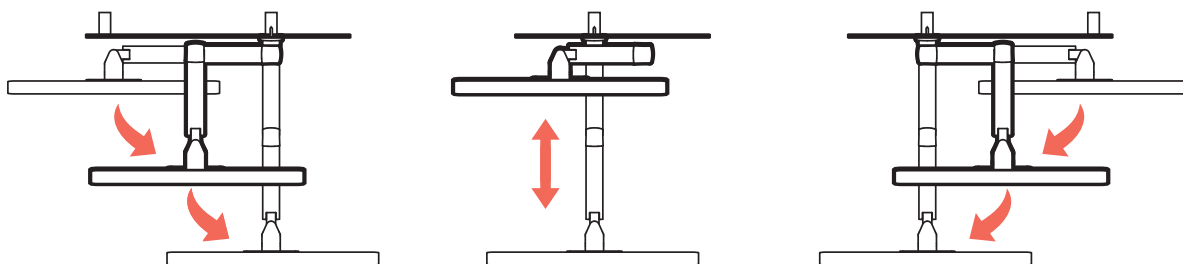
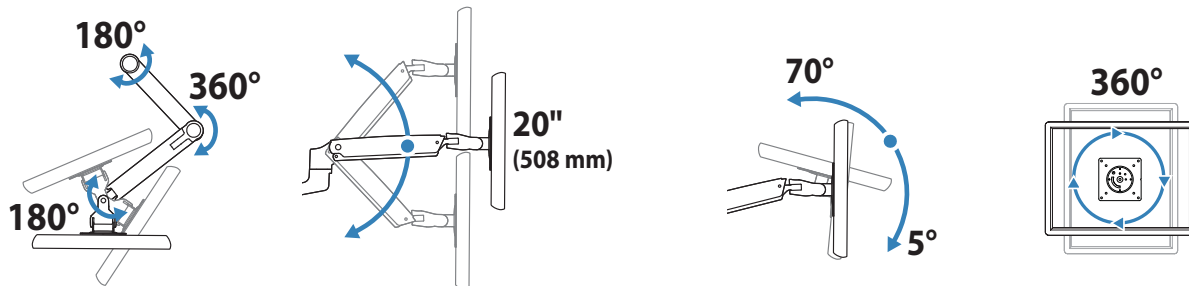
LX Sit-Stand Wall Mount System

LCD Arm



Monitor depth greater than 2.5" (64 mm) may diminish capacity.
Call Ergotron for more information.

Range of Motion

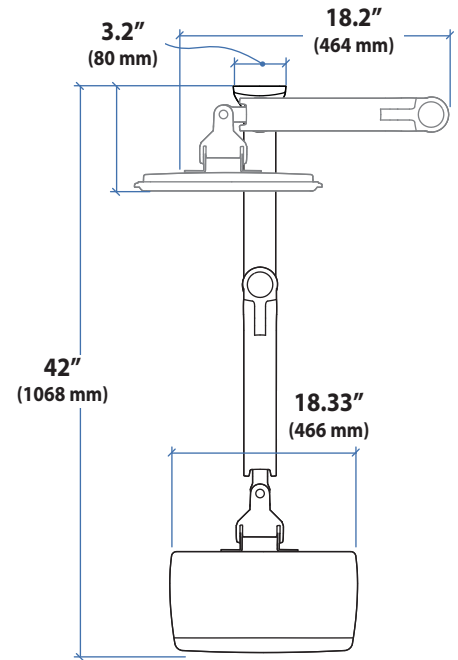
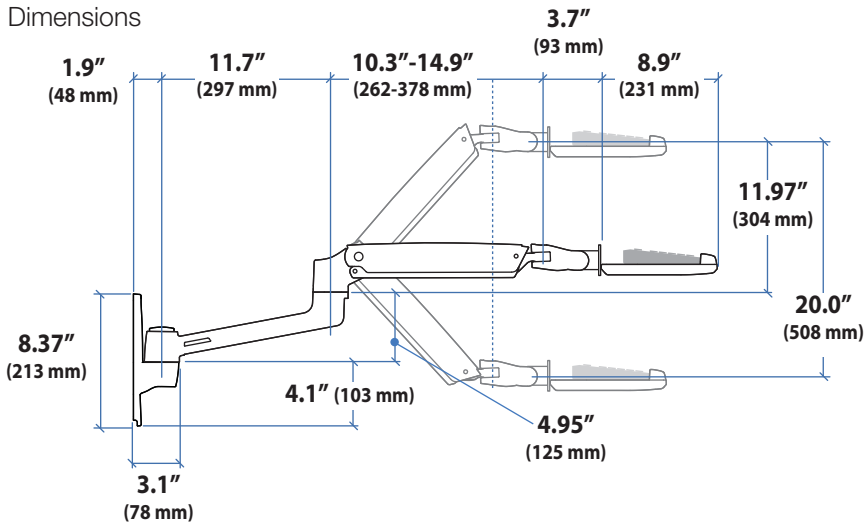


LX Sit-Stand Wall Mount System

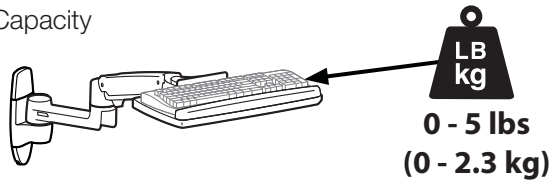
Keyboard Arm



Dimensions



Weight Capacity



Range of Motion

