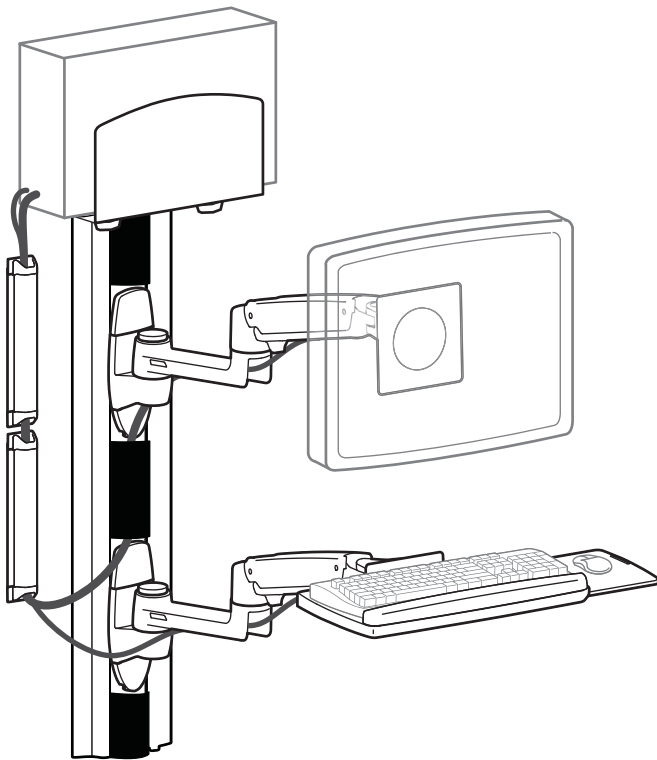
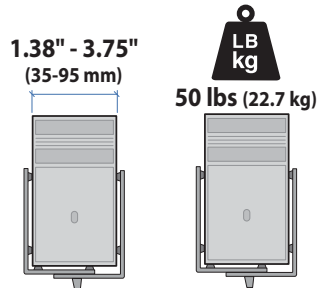


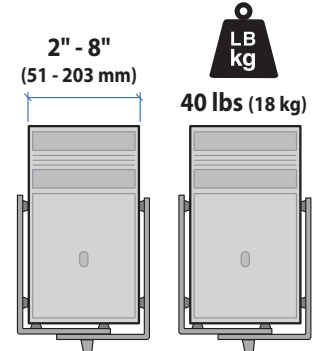
LX Wall Mount System



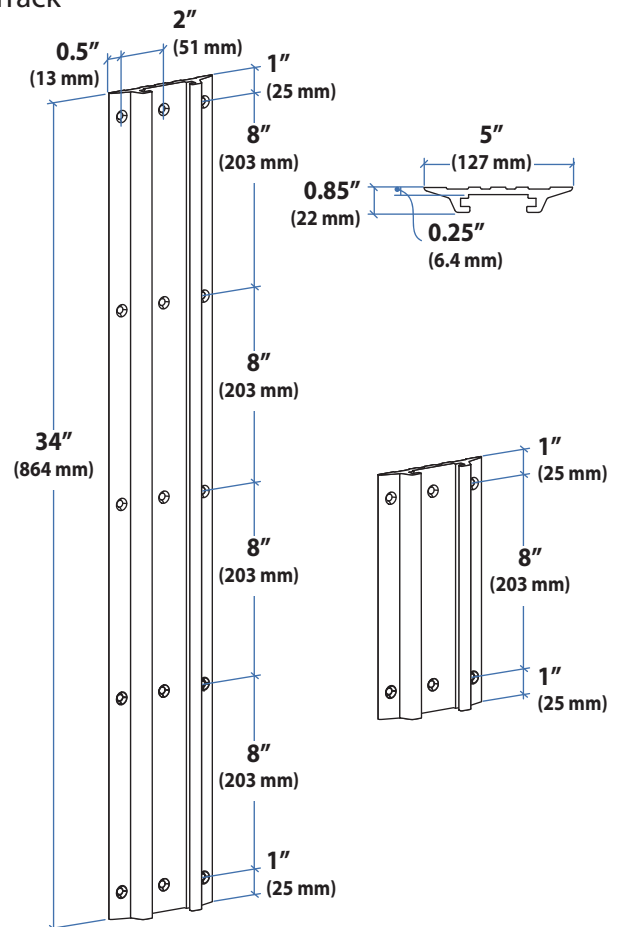
Small CPU Holder



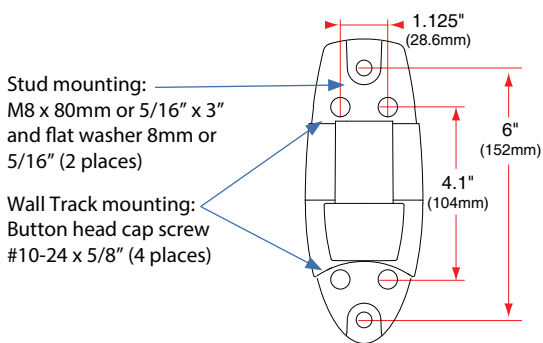
Medium CPU Holder



Wall Track



Wall Mount Bracket



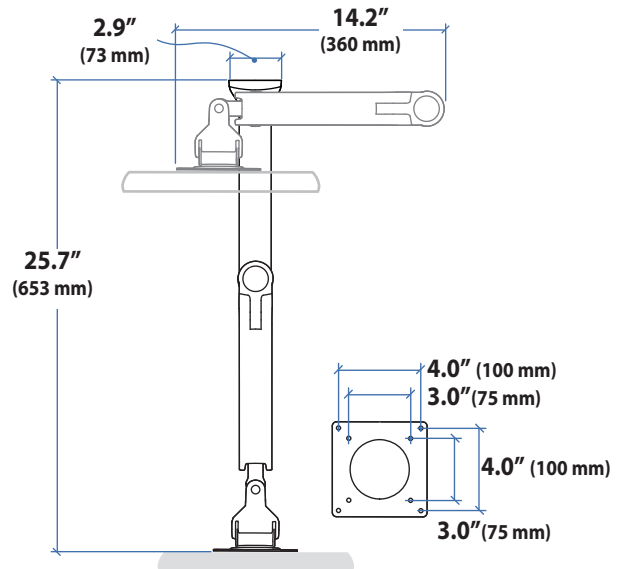
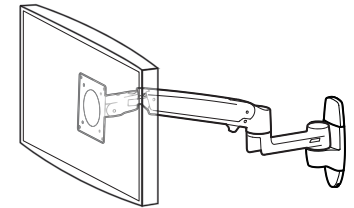
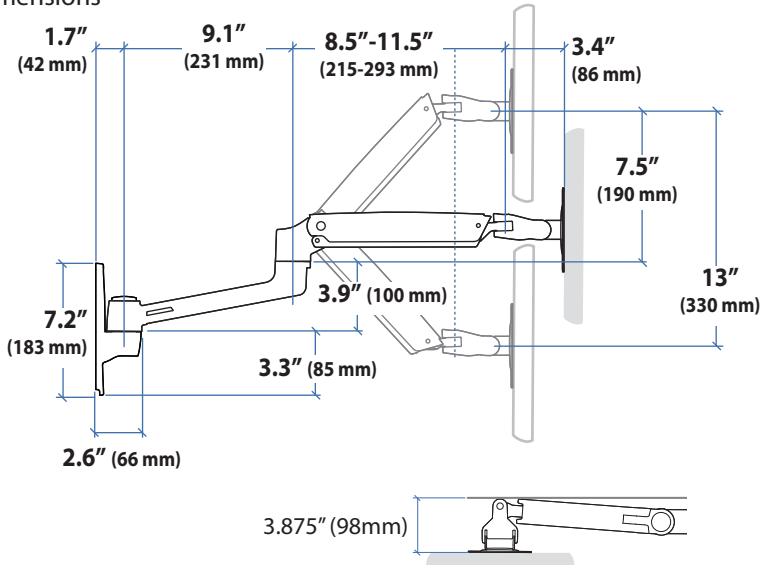
Stud mounting:
M8 x 80mm or 5/16" x 3"
and flat washer 8mm or
5/16" (2 places)

Wall Track mounting:
Button head cap screw
#10-24 x 5/8" (4 places)

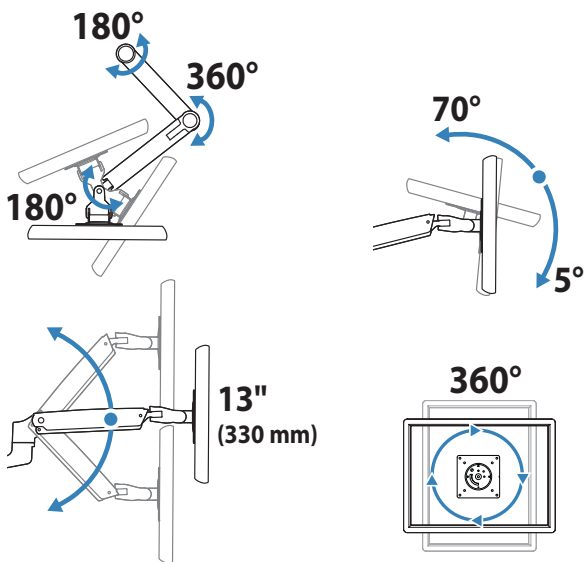
LX Wall Mount System

LCD Arm

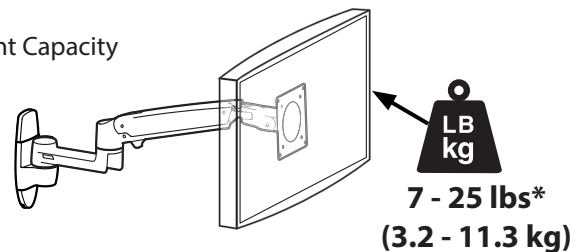
Dimensions



Range of Motion

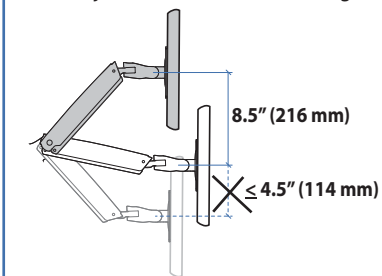


Weight Capacity



Monitor depth greater than 2.5" (64 mm) may diminish capacity. Call Ergotron for more information.

* The lower most range of motion for vertical lift is decreased up to 4.5" (114 mm) when arm is adjusted to hold over 20lbs (9 kgs).

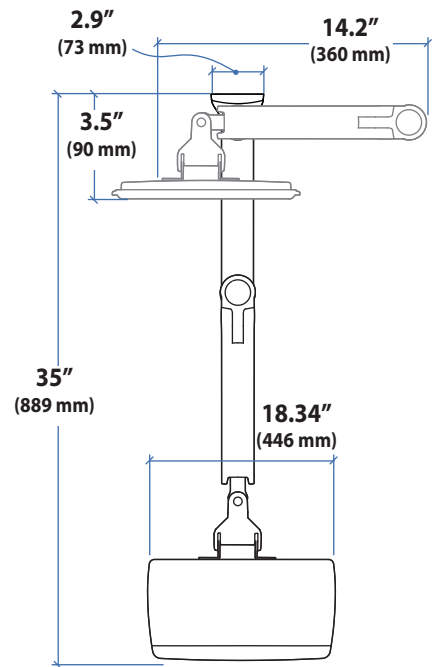
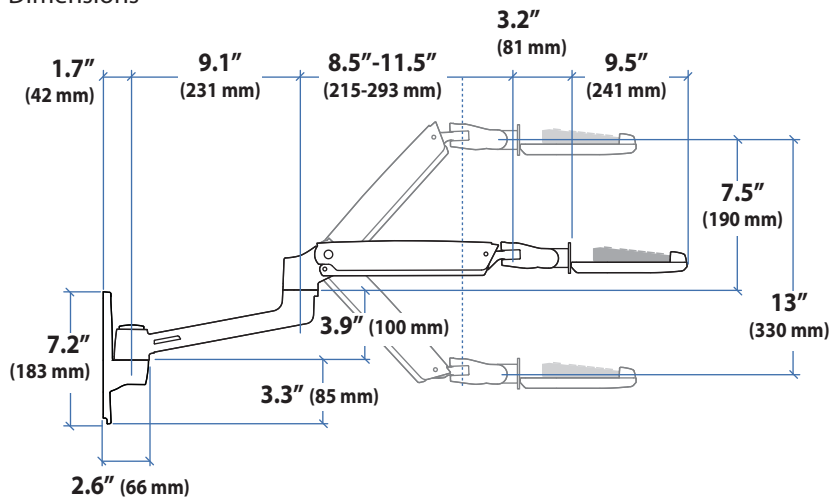


LX Wall Mount System

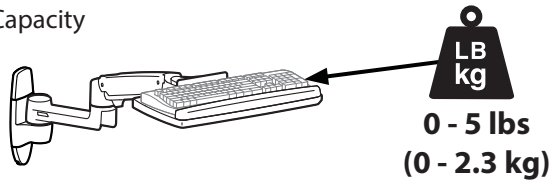
Keyboard Arm



Dimensions



Weight Capacity



Range of Motion

