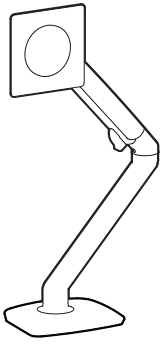


MXV Desk Monitor Arm



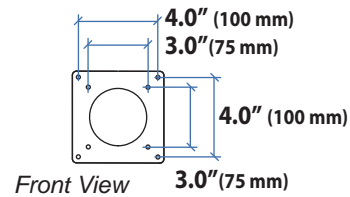
Dimensions

Desk Thickness

0.47"-1.25"
(12-32 mm)

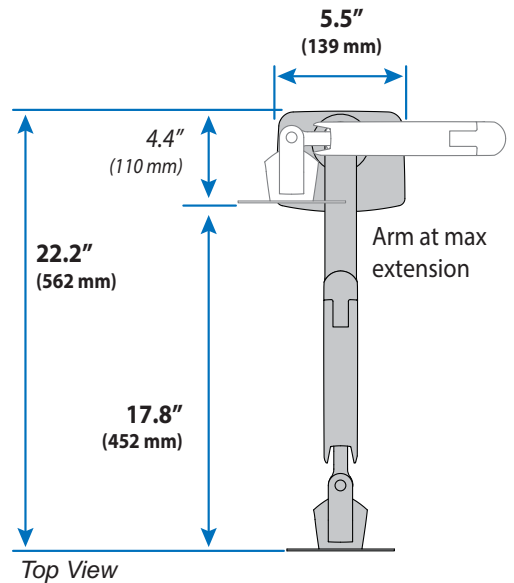
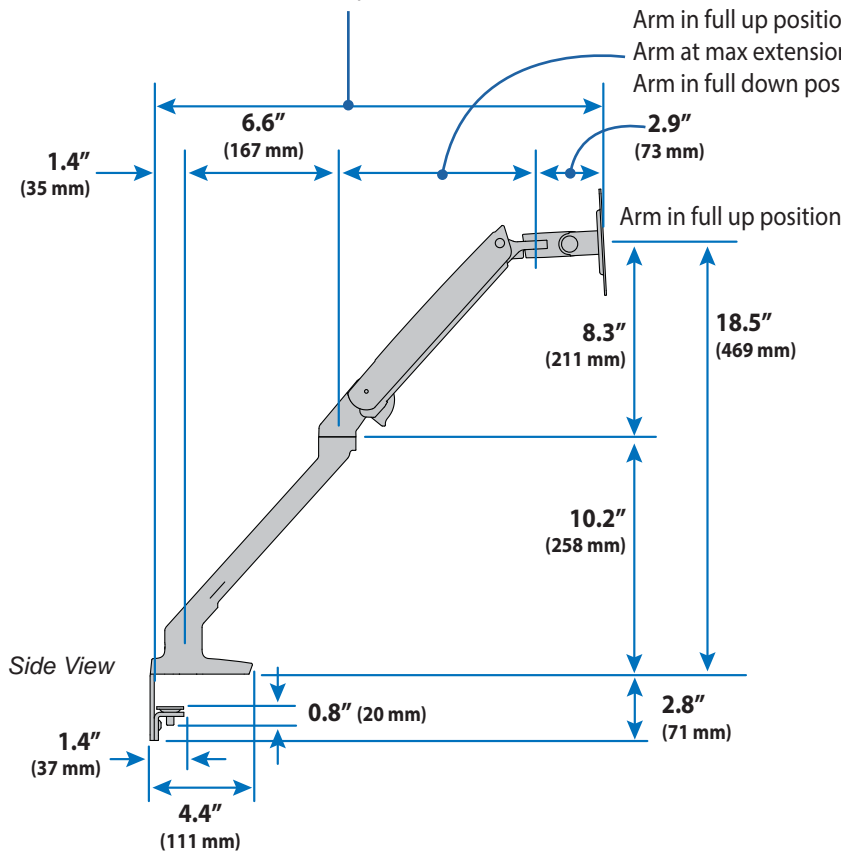


Monitor Interface Bracket

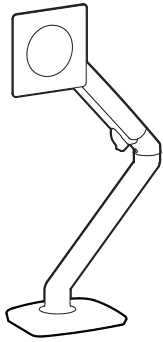


Arm in full up position: **19.1"** (485 mm)
Arm at max extension: **22.2"** (562 mm)
Arm in full down position: **19.6"** (498 mm)

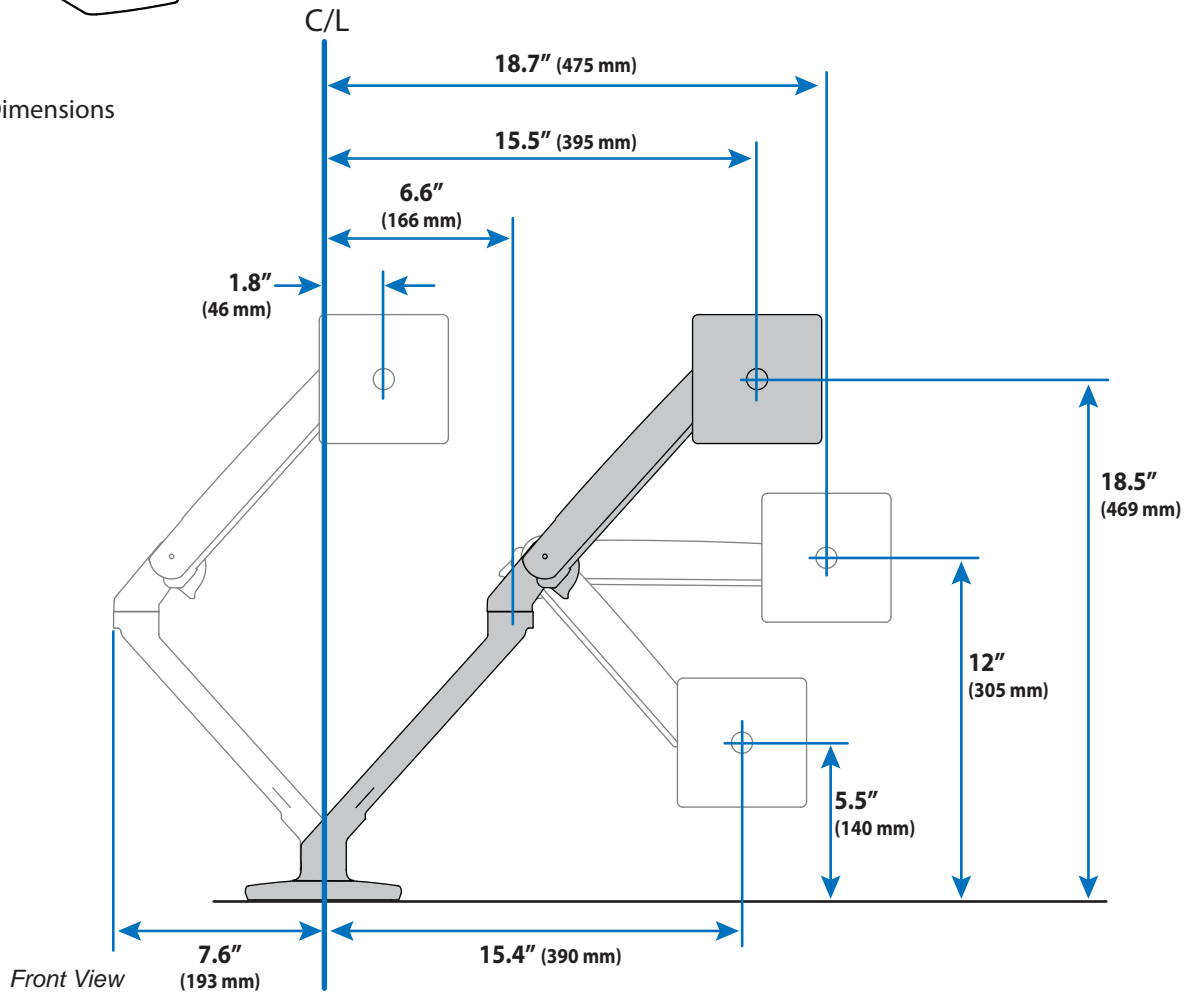
Arm in full up position: **8.2"** (210 mm)
Arm at max extension: **11.3"** (287 mm)
Arm in full down position: **8.7"** (223 mm)



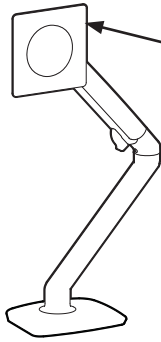
MXV Desk Monitor Arm



Dimensions



MXV Desk Monitor Arm



Weight Capacity
7 - 20 lbs (3.2 - 9.1 kg)
Monitor depth greater than 2.5" (64 mm) may diminish capacity.
Call Ergotron for more information.

Range of Motion

