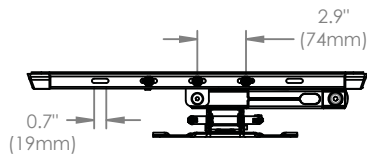
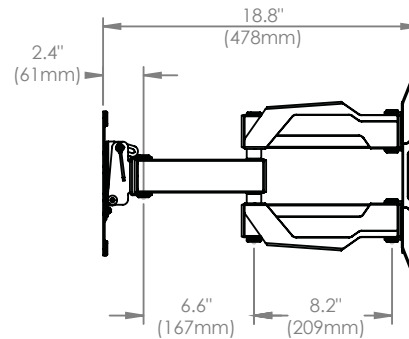


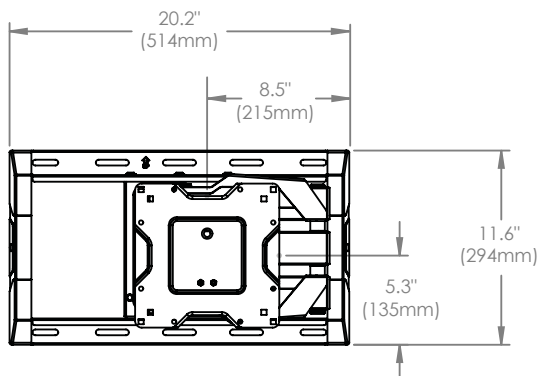
Neo-Flex Cantilever, UHD



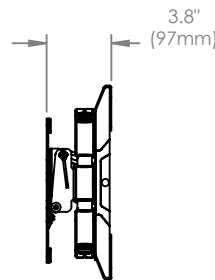
TOP VIEW



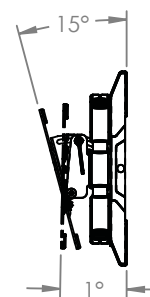
SIDE VIEW (EXTENDED)



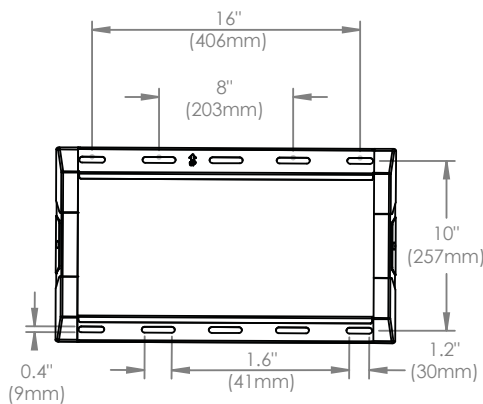
FRONT VIEW



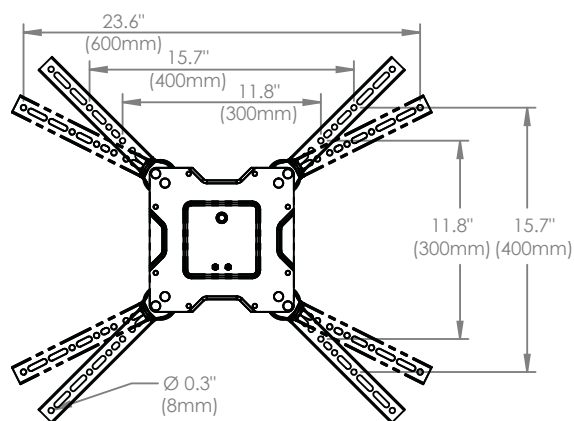
SIDE VIEW (NESTED)



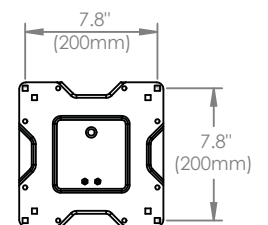
TILT RANGE



WALL MOUNT BRACKET



VESA BRACKET WITH ADAPTERS



VESA BRACKET

© 2017 Ergotron, Inc. rev. 10/07/2019 DIM-NFCANTILEVER-UHD Content is subject to change without notification

Americas Sales and Corporate Headquarter

St. Paul, MN USA
 (800) 888-8458
 +1-651-681-7600
 www.ergotron.com
 sales@ergotron.com

EMEA Sales

Amersfoort, The Netherlands
 +31 33 45 45 600
 www.ergotron.com
 info.eu@ergotron.com

APAC Sales

Tokyo, Japan
 www.ergotron.com
 apaccustomerservice@ergotron.com

Worldwide OEM Sales

www.ergotron.com
 info.oem@ergotron.com