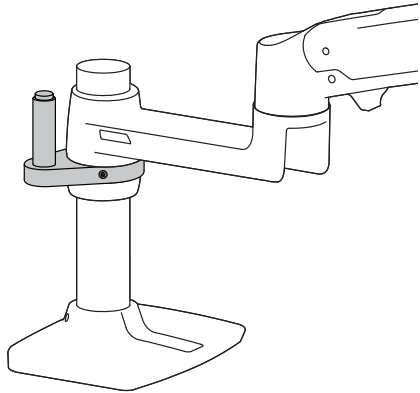
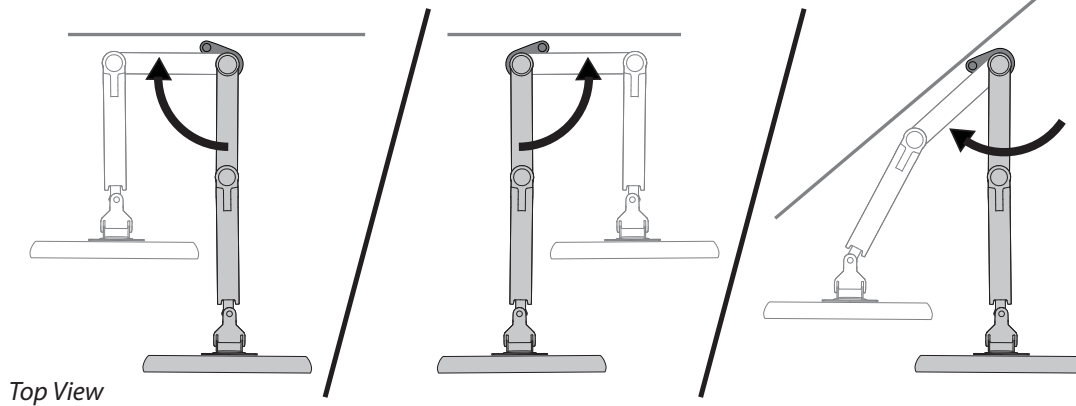


LX One-Stop Rotational Control Kit

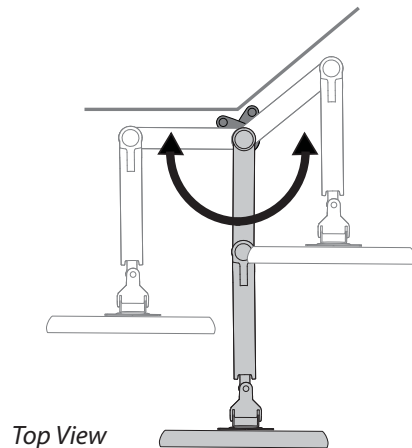


CUSTOMIZE ROTATION STOP LOCATIONS



Top View

STACK ONE OR TWO ONE-STOP ROTATION KITS TO ADJUST THE RANGE OF MOTION FROM 0° - 300°



Top View

© 2017 Ergotron, Inc. rev. 08/26/2019 DIM-ROTSTOP Content is subject to change without notification

**Americas Sales and
Corporate Headquarter**

St. Paul, MN USA
(800) 888-8458
+1-651-681-7600
www.ergotron.com
sales@ergotron.com

EMEA Sales

Amersfoort, The Netherlands
+31 33 45 45 600
www.ergotron.com
info.eu@ergotron.com

APAC Sales

Tokyo, Japan
www.ergotron.com
apaccustomerservice@ergotron.com

Worldwide OEM Sales

www.ergotron.com
info.oem@ergotron.com