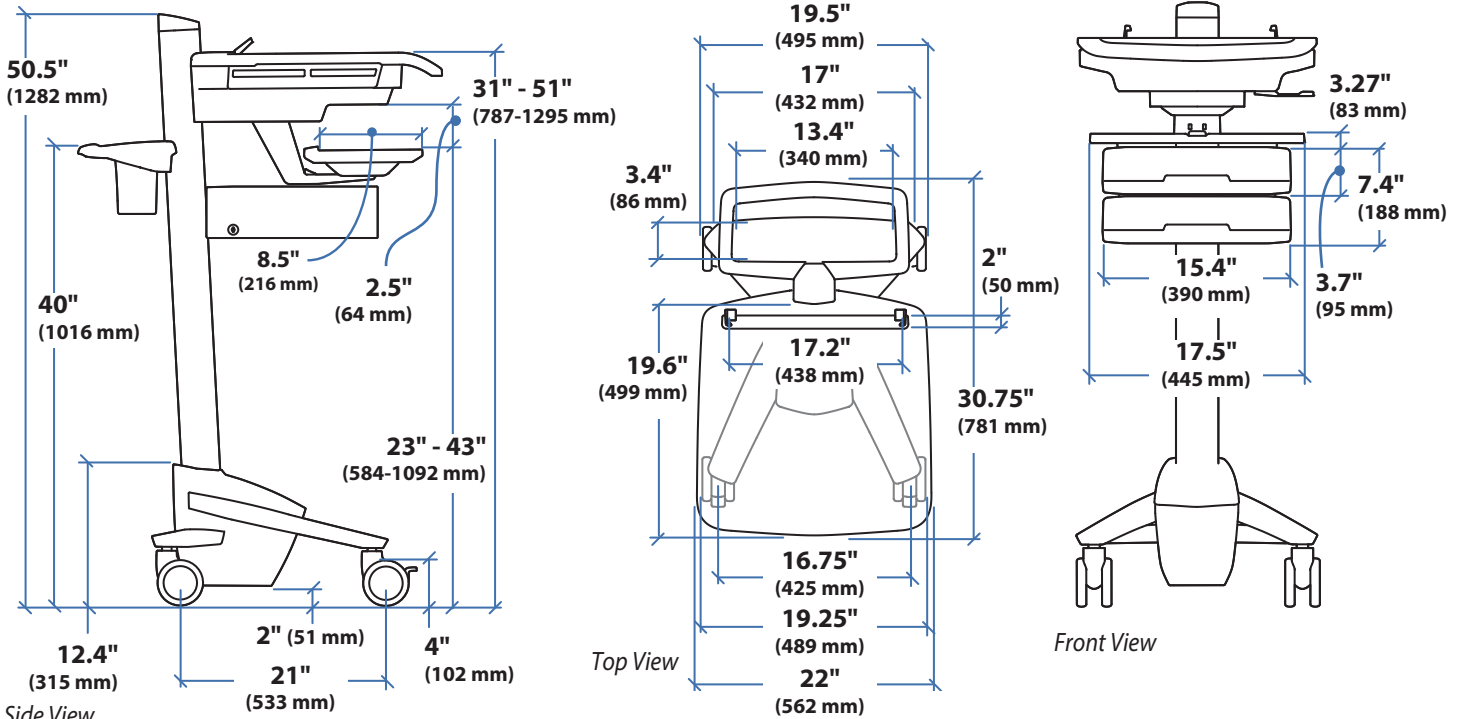
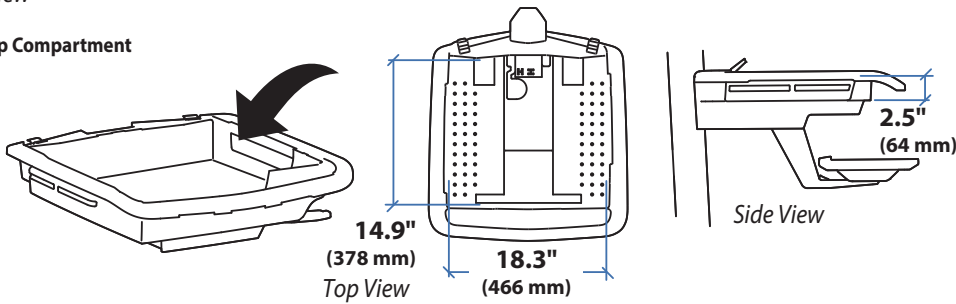


Dimensions

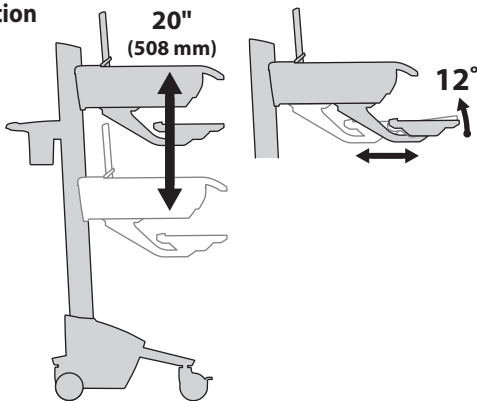


Laptop Compartment



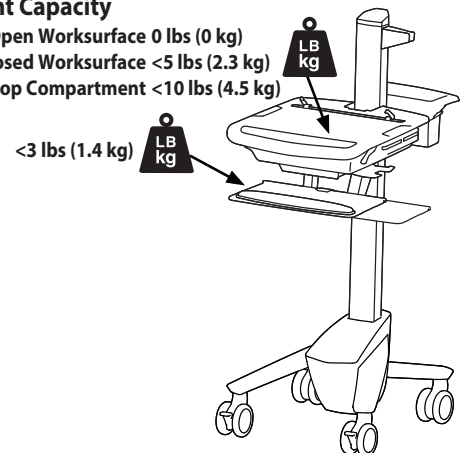
When figuring dimensions, include mounted accessories, protruding cables and port replicators or docking stations.

Range of Motion



Weight Capacity

- Open Worksurface 0 lbs (0 kg)
- Closed Worksurface <5 lbs (2.3 kg)
- Laptop Compartment <10 lbs (4.5 kg)



© 2014 Ergotron, Inc. rev. 03/28/2022 DIM-SV43Laptop Content is subject to change without notification

Americas Sales and Corporate Headquarter

St. Paul, MN USA
(800) 888-8458
+1-651-681-7600
www.ergotron.com
insidesales@ergotron.com

EMEA Sales

Amersfoort, The Netherlands
+31 33 45 45 600
www.ergotron.com
info.eu@ergotron.com

APAC Sales

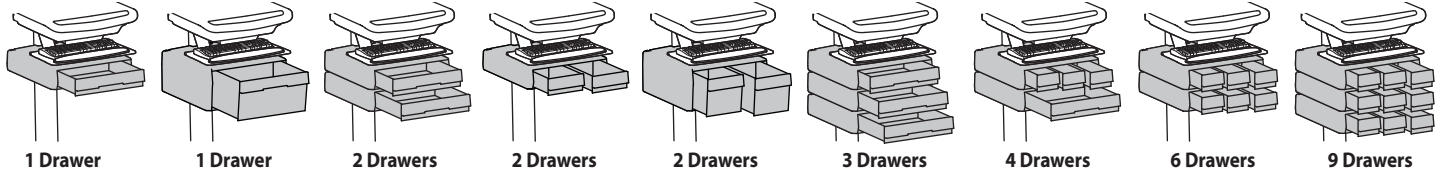
Sydney, Australia
www.ergotron.com
apacustomerservice@ergotron.com

Worldwide OEM Sales

www.ergotron.com
info.oem@ergotron.com

Dimensions

*Auto-Lock Drawer



1 Drawer

1 Drawer

2 Drawers

2 Drawers

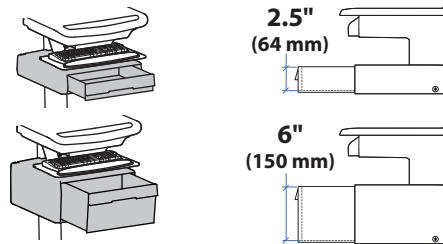
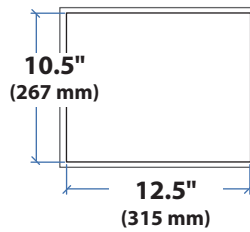
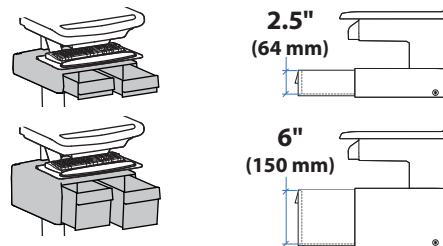
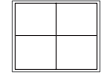
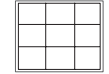
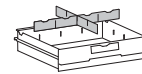
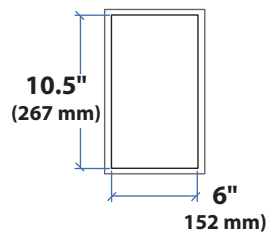
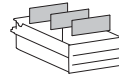
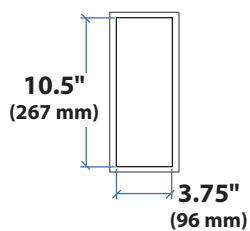
2 Drawers

3 Drawers

4 Drawers

6 Drawers

9 Drawers

2.5"
(64 mm)6"
(150 mm)10.5"
(267 mm)12.5"
(315 mm)Total weight capacity per drawer.
≤ 2 lbs (1 kg)2.5"
(64 mm)6"
(150 mm)10.5"
(267 mm)6"
(152 mm)Total weight capacity per drawer.
≤ 1 lbs (0.5 kg)2.5"
(64 mm)6"
(150 mm)10.5"
(267 mm)3.75"
(96 mm)Total weight capacity per drawer.
≤ 0.25 lbs (0.1 kg)