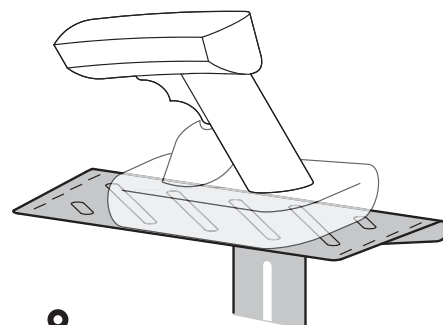
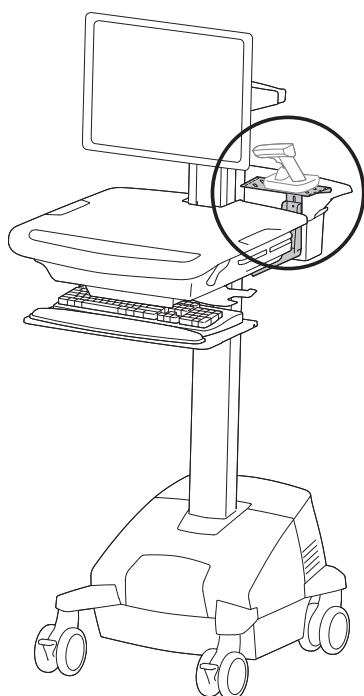


SV Scanner Shelf

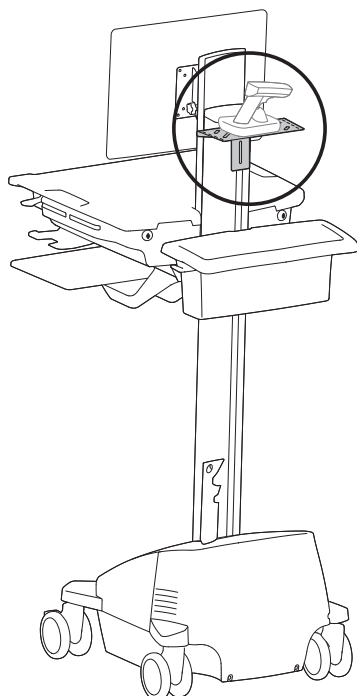
NOTE: Scanner is supplied by customer.



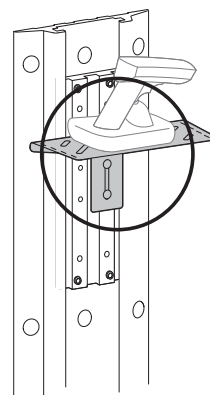
Max weight: 2 lbs (1 kg)*



SV Cart & Head Unit

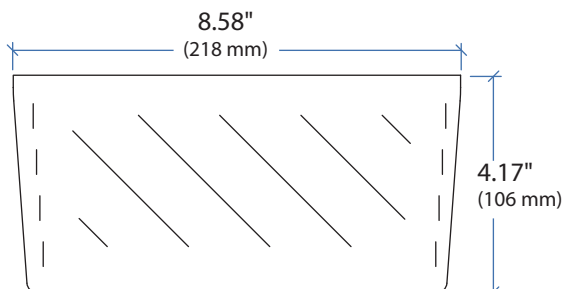


Back of SV Cart



Wall Track

Dimensions



*Maximum SV LCD Cart Weight Capacity 35 lbs. (16 kg). This is the sum of LCD monitor, CPU, keyboard/mouse, scanner and any worksurface load, including drawers, if present.

*Maximum SV Laptop Cart Weight Capacity 22 lbs. (10 kg). This is the sum of laptop, keyboard/mouse, scanner and any worksurface load, including drawers, if present.

Download additional resources at ergotron.com

USA & Canada Sales & Corporate Headquarters: St. Paul, MN USA / 800.888.8458 / +1.651.681.7600 / insidesales@ergotron.com

EMEA Sales: Amersfoort, The Netherlands / +31.33.45.45.600 / info.eu@ergotron.com

APAC Sales: Sydney, Australia / apaccustomerservice@ergotron.com

LATAM Sales: Mexico / +1.800.681.1820 / info.latam@ergotron.com

Worldwide Custom Sales: custom@ergotron.com

Ergotron devices are not intended to cure, treat, mitigate or prevent any disease. Patent information available at www.ergotron.com/patents

© 2013 Ergotron, Inc. rev. 12/01/2022 DIM-SVscanshelf **Content is subject to change without notification**