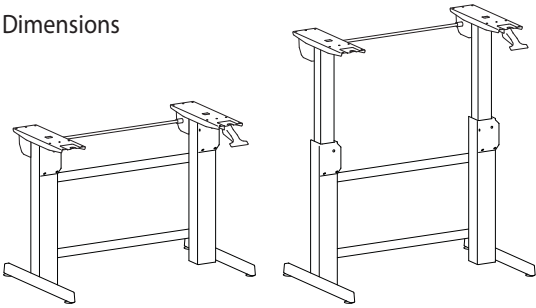


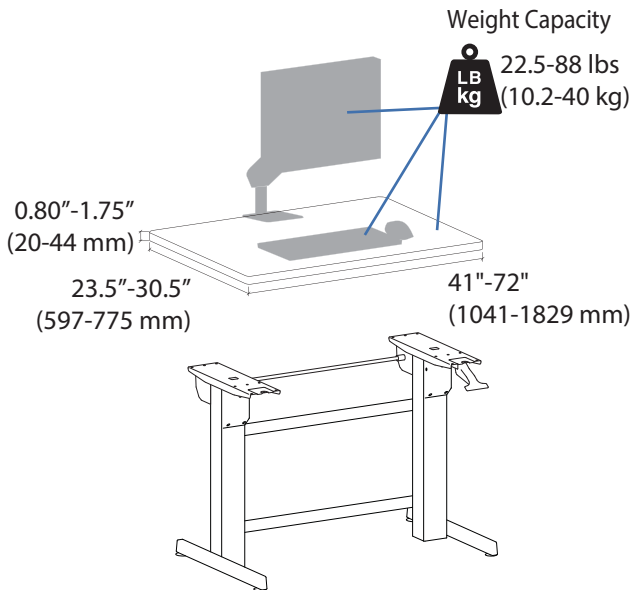
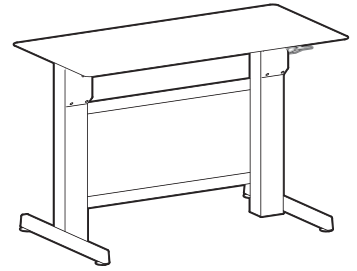
Dimensional & Range of Motion Illustrations

WorkFit-B-HD

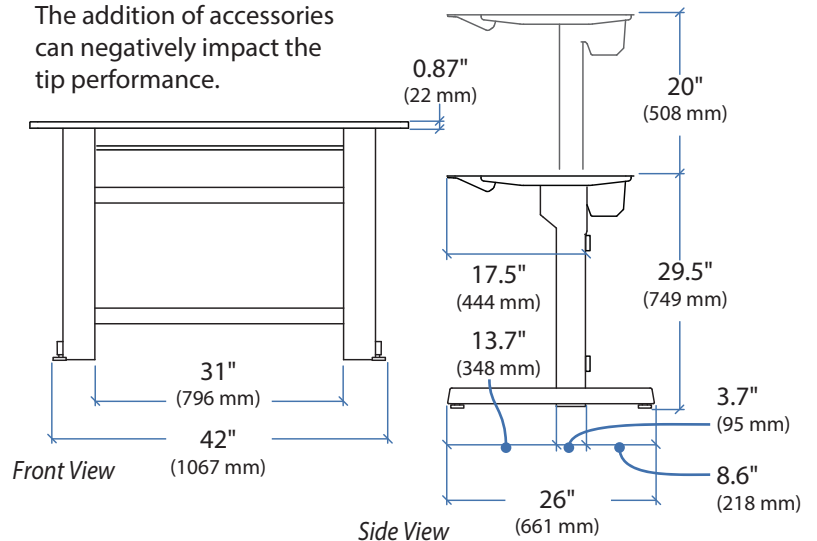
Dimensions



Wood Worksurface Weight Estimator	
Worksurface Thickness	Estimated Weight per square foot
0.80" (20 mm)	2.9 lbs (1.32 kg)
1.25" (32 mm)	4.5 lbs (2.04 kg)
1.75" (44 mm)	6.3 lbs (2.86 kg)

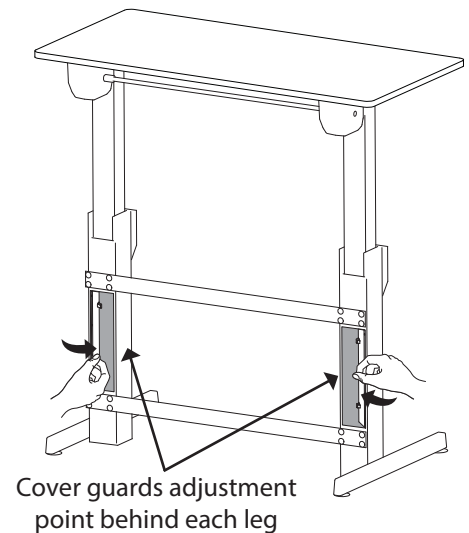
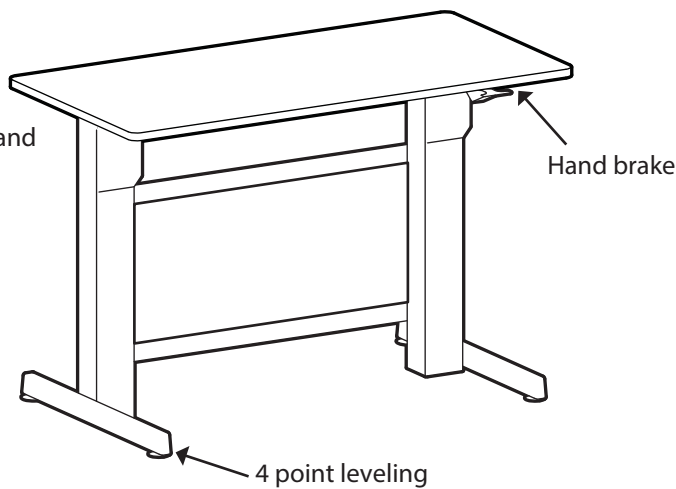


The addition of accessories can negatively impact the tip performance.



Features

Ergonomic Sit to Stand Height Adjustment



© 2013 Ergotron, Inc. rev. 12/13/2018 DIM-WorkFit-B-HD Content is subject to change without notification

Americas Sales and Corporate Headquarters

St. Paul, MN USA
 (800) 888-8458
 +1-651-681-7600
 www.ergotron.com
 sales@ergotron.com

EMEA Sales

Amersfoort, The Netherlands
 +31 33 45 45 600
 www.ergotron.com
 info.eu@ergotron.com

APAC Sales

Tokyo, Japan
 www.ergotron.com
 japansupport@ergotron.com

Worldwide OEM Sales

www.ergotron.com
 info.oem@ergotron.com

ergotron®