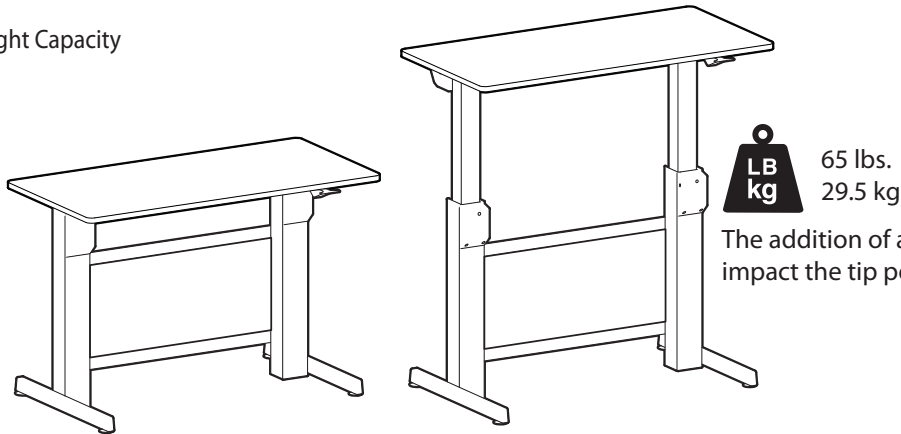


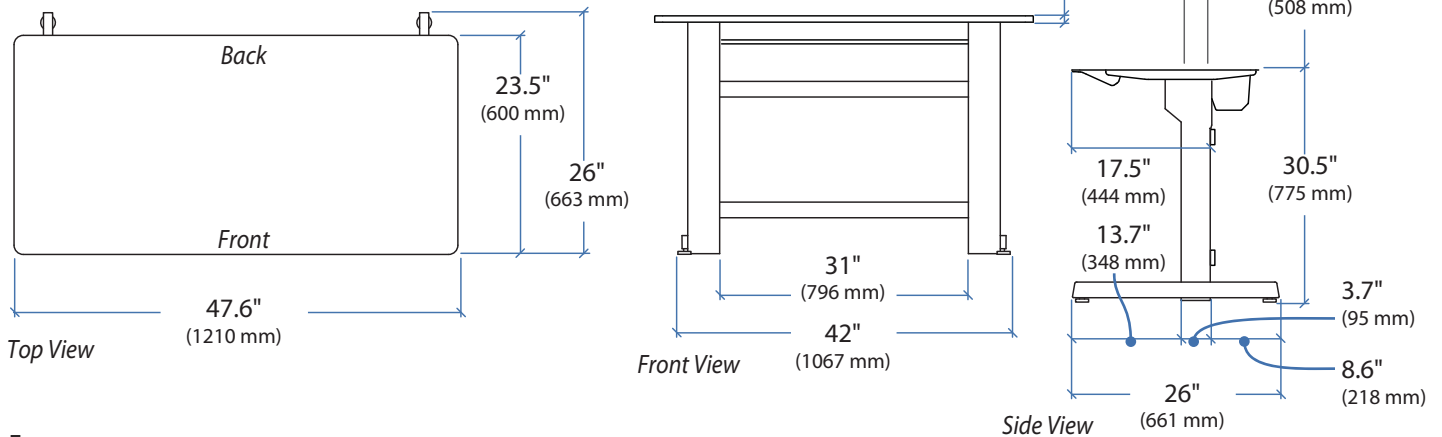
WorkFit-D

Weight Capacity



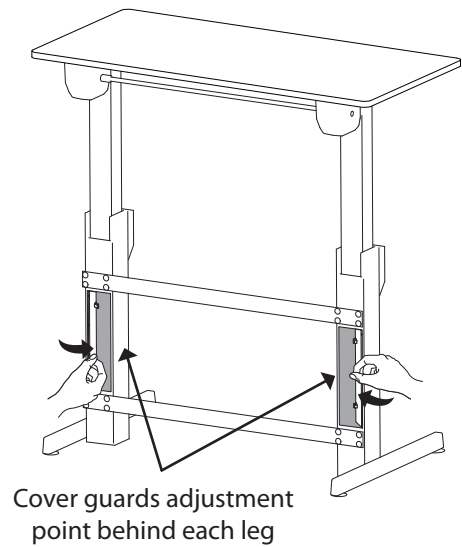
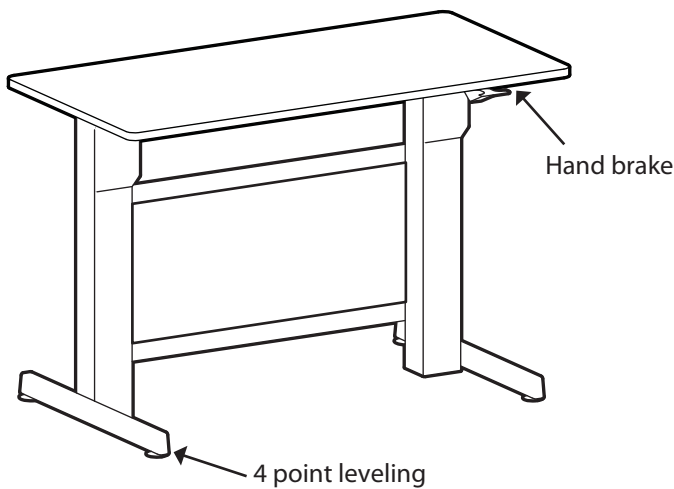
The addition of accessories can negatively impact the tip performance.

Dimensions



Features

Ergonomic Sit to Stand Height Adjustment



© 2013 Ergotron, Inc. rev. 12/13/2018 DIM-WorkFit-D11 Content is subject to change without notification

Americas Sales and Corporate Headquarters

St. Paul, MN USA
 (800) 888-8458
 +1-651-681-7600
 www.ergotron.com
 sales@ergotron.com

EMEA Sales

Amersfoort, The Netherlands
 +31 33 45 45 600
 www.ergotron.com
 info.eu@ergotron.com

APAC Sales

Tokyo, Japan
 www.ergotron.com
 japansupport@ergotron.com

Worldwide OEM Sales

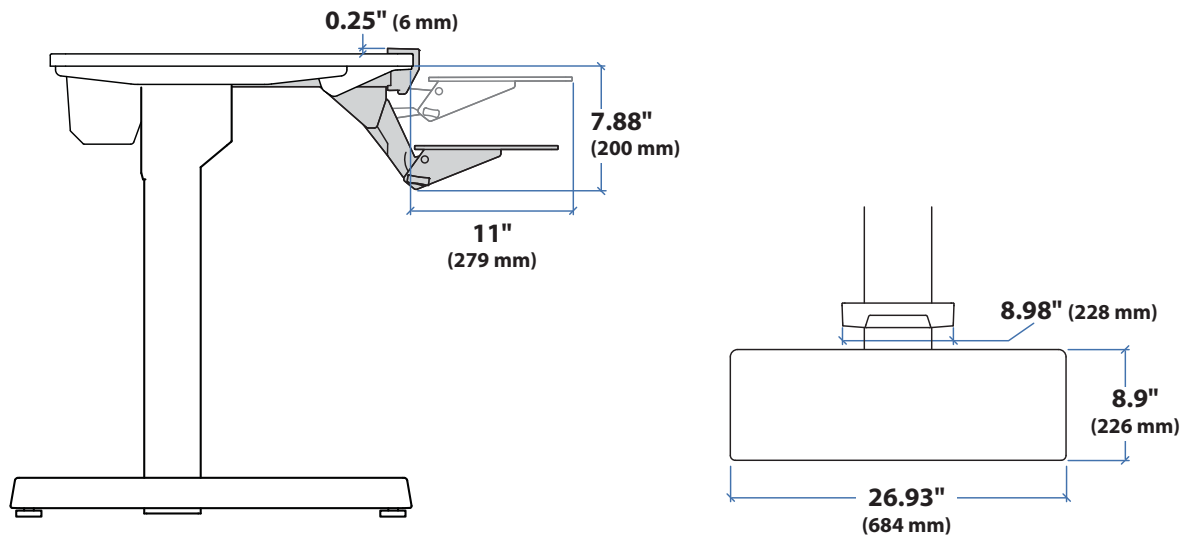
www.ergotron.com
 info.oem@ergotron.com

ergotron®

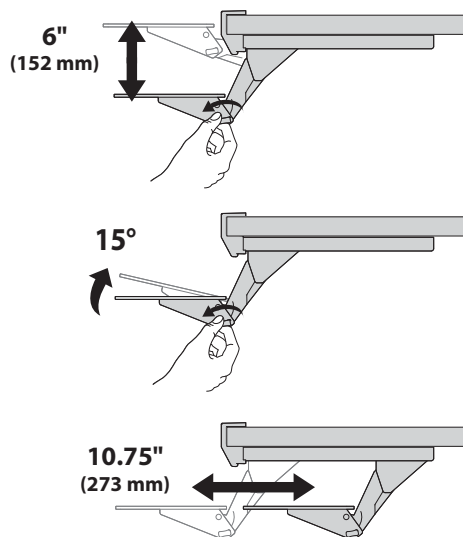
WorkFit-D

With the Ergotron NeoFlex Underdesk Keyboard Arm accessory attached (ordered separately):

Dimensions



Range of Motion



© 2013 Ergotron, Inc. rev. 12/13/2018 DIM-WorkFit-D11 Content is subject to change without notification

Americas Sales and Corporate Headquarters

St. Paul, MN USA
(800) 888-8458
+1-651-681-7600
www.ergotron.com
sales@ergotron.com

EMEA Sales

Amersfoort, The Netherlands
+31 33 45 45 600
www.ergotron.com
info.eu@ergotron.com

APAC Sales

Tokyo, Japan
www.ergotron.com
japansupport@ergotron.com

Worldwide OEM Sales

www.ergotron.com
info.oem@ergotron.com

ergotron®