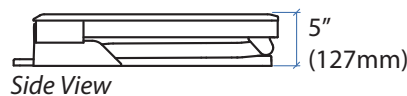
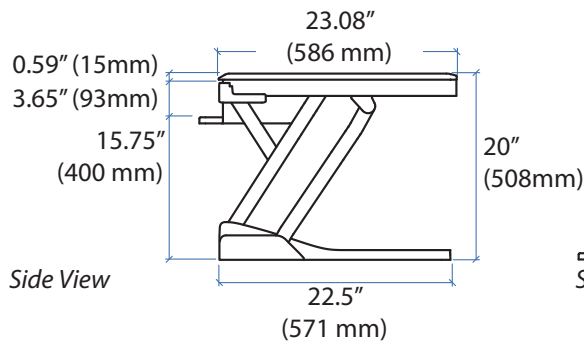
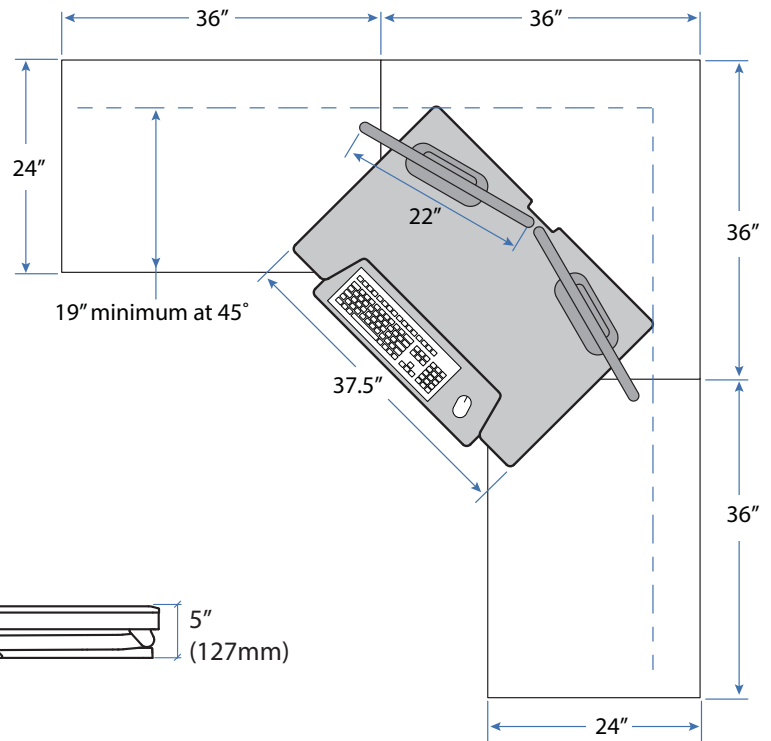
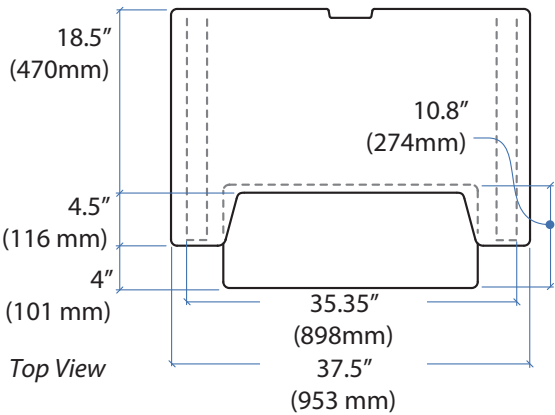
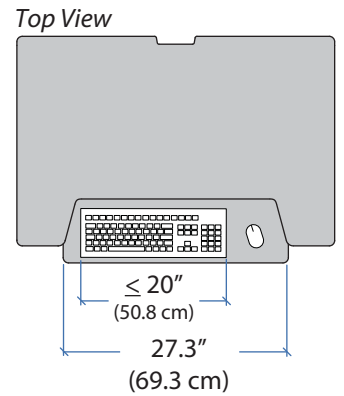
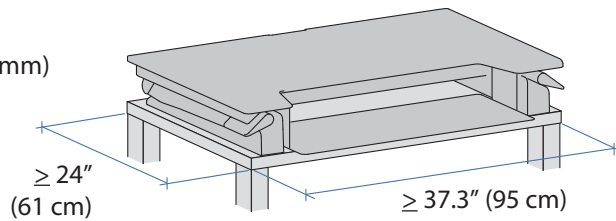
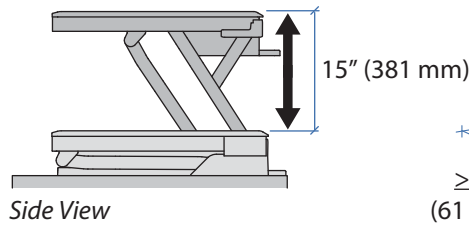


Dimensions



Shown on a 90° corner work surface.
 Top View

© 2015 Ergotron, Inc. rev. 06/23/2021 DIM-WorkFit-TL. Content is subject to change without notification

Americas Sales and Corporate Headquarter	EMEA Sales	APAC Sales	Worldwide OEM Sales
St. Paul, MN USA (800) 888-8458 +1-651-681-7600 www.ergotron.com insidesales@ergotron.com	Amersfoort, The Netherlands +31 33 45 45 600 www.ergotron.com info.eu@ergotron.com	Sydney, Australia www.ergotron.com apaccustomerservice@ergotron.com	www.ergotron.com info.oem@ergotron.com